

PA-MACH84(-Z, -LD, -C3, -A4) Data Sheet

84 pin PLCC socket/28 pin DIP 0.6" plug

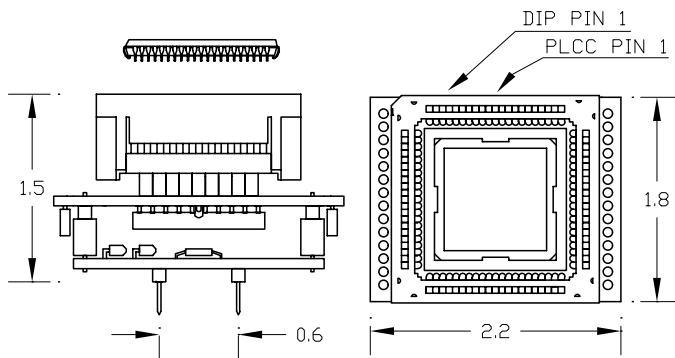
Supported Device/Footprints

Using this adapter, the AMD MACH 130, 230 & 435 in either PLCC or CLCC packages can be programmed on 28 pin DIP programmers.

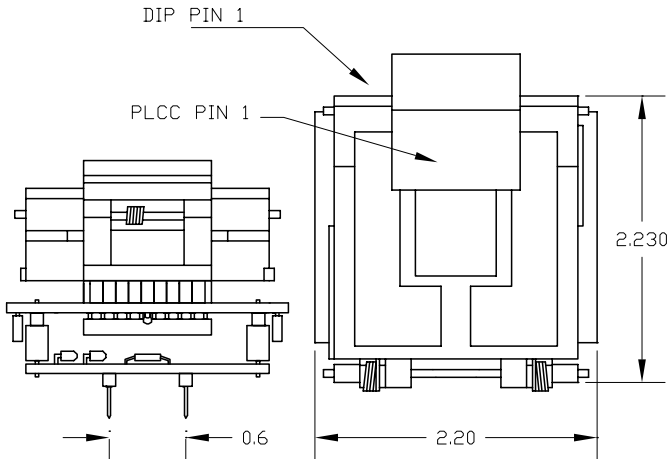
Mfgr	Device		Footprint	
	Device	Package	Device	Package
AMD	MACH 130, 230 & 435	PLCC, CLCC	MACH 130, 230 & 435	28 pin DIP

Note: The PA-MACH84-A4 only supports the '435.

Adapter Dimensions



PA-MACH84



PA-MACH84Z

Adapter Parts & Part Numbers

The following chart shows the various socket and board part numbers that make up these adapters.

Adapter	Socket	Top Board	Bottom Board
PA-MACH84	84-303	MACH84	28-170
PA-MACH84-A4	84-303	MACH84	28-170-A4
PA-MACH84-C3	84-303	MACH84	28-170-C3
PA-MACH84-LD	84-303	MACH84	28-170-LDM84
PA-MACH84Z	84-401	MACH84Z	28-170
PA-MACH84Z-A4	84-401	MACH84Z	28-170-A4
PA-MACH84Z-C3	84-401	MACH84Z	28-170-C3
PA-MACH84Z-LD	84-401	MACH84Z	28-170-LDM84

Adapter Construction

The adapter is made up of 3 sub-assemblies. They assemble via connectors making the adapter modular. This way the sub-assemblies can be replaced when they wear out.

When disassembling the adapter take care not to bend the pins. When reassembling the adapter note the pin 1 indicators to align the parts correctly.

Test Socket

PLCC Auto-Eject test socket:

Yamaichi Part #: IC120-0844-303 LSC Part #: 84-303

PLCC ZIF Lidded socket:

Yamaichi Part #: IC51-0844-401 LSC Part #: 84-401

MACH84(Z)

Accepts the test socket and connects to the bottom board.

28-170 (--LD, -C3, -A4)

Performs the wiring shown in the Adapter Wiring section. The different versions of the 28-170 are described in the next section.

28-170 Bottom Board Description

28-170	All logic programmers not listed below
28-170-LDM84	Logical Devices Inc. programmers except the ChipMaster 3000
28-170-C3	Logical Devices Inc. ChipMaster 3000 programmer
28-170-A4	Logical Devices Inc. ChipMaster 2000 & EE Tools-Allmax programmers

LOGICAL

Logical Systems Corporation
PO Box 6184, Syracuse, NY 12817-6184 USA
Tel (315) 478-0722, FAX (315) 479-6753

S Y S T E M S www.logicals.com, Email: info@logicals.com

MACH84(-Z, -LD, -C3, -A4) Data Sheet

Doc: MACH84.DOC

Rev 6/1/04

Page 1 of 2

Adapter Wiring

The following chart shows the connections from the PLCC device to the adapter's DIP plug.

PLCC	PA-MACH-84 PA-MACH84-LD		PA-MACH84-C3		PA-MACH84-A4	
	Signal	Pgmr	Signal	Pgmr	Signal	Pgmr
1	GND	14	GND	12	GND	14
2	Vcc	28	Vcc	22	Vcc	28
3	10K	14	10K	12	10K	14
4	10K	14	10K	12	10K	14
5	10K	14	10K	12	10K	14
6	10K	14	10K	12	10K	14
7	10K	14	10K	12	10K	14
8	10K	14	10K	12	10K	14
9	10K	14	10K	12	10K	14
10	-LD	16	-	1	-	16
11	GND	14	GND	12	GND	14
12	-LD	17	-	2	-	17
13	10K	14	10K	12	10K	14
14	10K	14	10K	12	10K	14
15	10K	14	10K	12	10K	14
16	10K	14	10K	12	10K	14
17	10K	14	10K	12	10K	14
18	10K	14	10K	12	10K	14
19	-LD	7	-	3	4.7K	14
20	-LD	1	-	4	-	1
21	Vcc	28	Vcc	22	Vcc	28
22	GND	14	GND	12	GND	14
23	-	2	-	5	-	2
24	-LD	8	-	6	4.7K	14
25	-LD	9	-	7	4.7K	14
26	10K	14	10K	12	10K	14
27	10K	14	10K	12	10K	14
28	10K	14	10K	12	10K	14
29	10K	14	10K	12	10K	14
30	10K	14	10K	12	10K	14
31	-LD	18	-	8	-	18
32	GND	14	GND	12	GND	14
33	-LD	19	-	9	-	19
34	-LD	15	-	10	4.7K	14
35	10K	14	10K	12	10K	14
36	10K	14	10K	12	10K	14
37	10K	14	10K	12	10K	14
38	-	12	-	11	4.7K	14
39	10K	14	10K	12	10K	14
40	10K	14	10K	12	10K	14
41	-	3	-	13	-	3
42	Vcc	28	Vcc	22	Vcc	28

PLCC	PA-MACH84 PA-MACH84-LD		PA-MACH84-C3		PA-MACH84-A4	
	Signal	Pgmr	Signal	Pgmr	Signal	Pgmr
43	GND	14	GND	12	GND	14
44	VCC	28	VCC	22	VCC	28
45	10K	14	10K	12	10K	14
46	10K	14	10K	12	10K	14
47	10K	14	10K	12	10K	14
48	10K	14	10K	12	10K	14
49	10K	14	10K	12	10K	14
50	10K	14	10K	12	10K	14
51	10K	14	10K	12	10K	14
52	-LD	20	-	14	-	20
53	GND	14	GND	12	GND	14
54	-LD	21	-	15	-	21
55	10K	14	10K	12	10K	14
56	10K	14	10K	12	10K	14
57	10K	14	10K	12	10K	14
58	10K	14	10K	12	10K	14
59	10K	14	10K	12	10K	14
60	10K	14	10K	12	10K	14
61	-	10	-	16	4.7K	14
62	-LD	2	-	17	-	4
63	VCC	28	VCC	22	VCC	28
64	GND	14	GND	12	GND	14
65	-	5	-	18	-	5
66	-LD	11	-	19	4.7K	14
67	10K	14	10K	12	10K	14
68	10K	14	10K	12	10K	14
69	10K	14	10K	12	10K	14
70	10K	14	10K	12	10K	14
71	10K	14	10K	12	10K	14
72	10K	14	10K	12	10K	14
73	-LD	22	-	20	-	22
74	GND	14	GND	12	GND	14
75	-LD	23	-	21	-	23
76	10K	14	10K	12	10K	14
77	10K	14	10K	12	10K	14
78	10K	14	10K	12	10K	14
79	10K	14	10K	12	10K	14
80	10K	14	10K	12	10K	14
81	10K	14	10K	12	10K	14
82	10K	14	10K	12	10K	14
83	-	6	-	23	-	6
84	VCC	28	VCC	22	VCC	28

VCC to GND .1uf bypass

-LD represents a 470 ohm series resistor on the PA-MACH84-LD or a direct connection of the PA-MACH84.