

PA-MACH210-Q06T Data Sheet

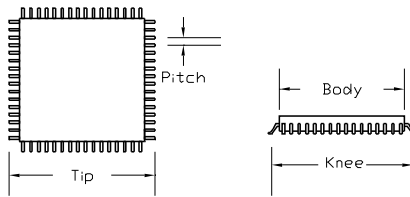
44 pin QFP socket/28 pin DIP 0.6" plug

Supported Device/Footprints

Using this adapter, the AMD MACH110, 210 & 215 in the QFP package can be programmed on DIP programmers.

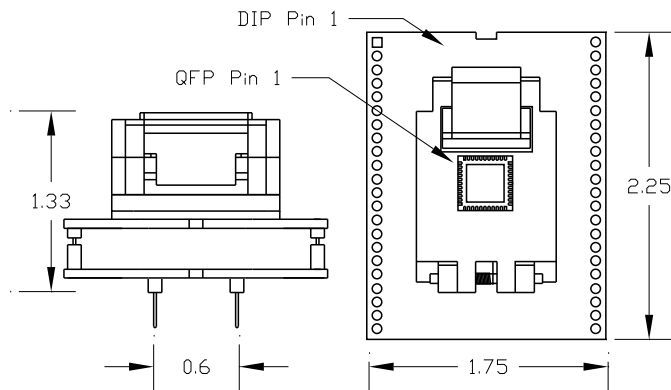
Mfgr	Device		Footprint	
	Device	Package	Device	Plug
AMD	MACH 110, 210 & 215	QFP	MACH 110, 210 & 215	AMD spec'd 28 DIP 0.6"

The QFP socket accepts packages with the dimensions listed below:



Body	Knee	Tip	Pitch
10.0 mm typical	11.0 mm typical 11.6 maximum	12 mm typical 13.2 maximum	0.8 mm

Adapter Dimensions



Adapter Construction

The adapter is made up of 3 sub-assemblies. They assemble via connectors making the adapter modular. This way the sub-assemblies can be replaced when they wear out.

When disassembling the adapter take care not to bend the pins. When reassembling the adapter note the pin 1 indicators to align the parts correctly.

Test Socket

Lidded QFP test socket:

Enplas Part #: FPQ-44-0.8-06T LSC Part #: 44QF-06T

44QFP-6T

Accepts the test socket and connects to the bottom board.

MACH210 BASE

Performs the wiring shown in the Adapter Wiring section.

Adapter Wiring

The following chart shows the connections from the QFP device to the adapter's DIP plug.

DEVICE	SIGNAL	PLUG
39	GND	14
40	I/O 0	12
41	10K	14
42	I/O 2	13
43	10K	14
44	I/O 4	18
1	10K	14
2	I/O 6	19
3	I/O 7	20
4	VPP	2
5	MD0	3
6	GND	14
7	CLK0	1
8	I/O 8	6
9	I/O 9	7
10	10K	14
11	I/O 11	8
12	10K	14
13	I/O 13	9
14	10K	14
15	I/O 15	10
16	VCC	28

DEVICE	SIGNAL	PLUG
17	GND	14
18	I/O 16	11
19	10K	14
20	I/O 18	15
21	10K	14
22	I/O 20	16
23	10K	14
24	I/O 22	17
25	I/O 23	21
26	MD1	4
27	MD2	5
28	GND	14
29	CLK1	27
30	I/O 24	22
31	I/O 25	23
32	10K	14
33	I/O 27	24
34	10K	14
35	I/O 29	25
36	10K	14
37	I/O 31	26
38	VCC	28

VCC to GND has a 0.1uf capacitor.



Logical Systems Corporation
 PO Box 6184, Syracuse, NY 13217-6184 USA
 Tel (315) 478-0722, FAX (315) 479-6753
 S Y S T E M S www.logicals.com, Email: info@logicals.com

PA-MACH210-QFP Data Sheet
 Doc: MACH210.DOC
 Rev 1/28/97
 Page 1 of 1