

PA-L2032-TQ Data Sheet

44 pin TQFP socket/28 pin DIP 0.6" plug

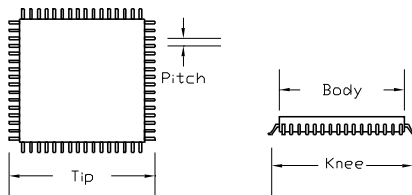
Supported Device/Footprints

This adapter allows programming of the isp/pLSI2032 44 pin TQFP device in the 28 pin DIP footprint specified by Lattice.

This adapter is compatible with any programmer that conforms to the Lattice specification.

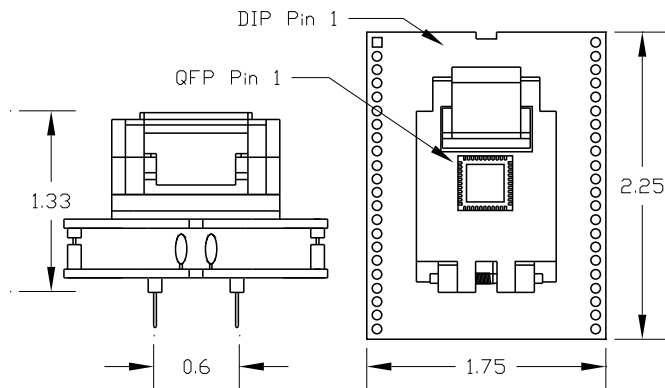
Mfgr	Device	Package	Footprint
Lattice	(is)pLSI1016	TQFP	Lattice 28 pin DIP programming specification
"	(is)pLSI1016E	"	"
"	(is)pLSI2032	"	"

The QFP socket accepts packages with the dimensions listed below:



Body	Knee	Tip	Pitch
10.0 mm typical	11.0 mm typical 11.6 maximum	12 mm typical 13.2 maximum	0.8 mm

Adapter Dimensions



Adapter Construction

The adapter is made up of 3 sub-assemblies. They assemble via connectors making the adapter modular. This way the sub-assemblies can be replaced when they wear out.

When disassembling the adapter take care not to bend the pins. When reassembling the adapter note the pin 1 indicators to align the parts correctly.

Test Socket

QFP test socket:

Enplas Part #: FPQ-44-0.8-06T

LSC Part #: 44QF-06T

44QFP-6T

Accepts the test socket and connects to the bottom board.

L2032-44

Performs the wiring shown in the Adapter Wiring section.

Adapter Wiring

The following chart shows the connections from the QFP device to the adapter's DIP plug.

DEVICE	PLUG	DEVICE	PLUG
1	N/C	23	N/C
2	16	24	18
3	N/C	25	17
4	N/C	26	N/C
5	6	27	1
6	28	28	28
7	4	29	N/C
8	2	30	3
9	N/C	31	N/C
10	7	32	N/C
11	N/C	33	27
12	N/C	34	9
13	N/C	35	10
14	N/C	36	11
15	N/C	37	12
16	N/C	38	13
17	14	39	14
18	15	40	5
19	N/C	41	N/C
20	N/C	42	8
21	N/C	43	N/C
22	N/C	44	N/C

There are 0.1uf & 0.01uf capacitors between VCC & GND

There is a 0.1uf capacitor between ispEN & GND

* Connects via a 2K series resistor.



Logical Systems Corporation
 PO Box 6184, Syracuse, NY 13217-6184 USA
 Tel (315) 478-0722, FAX (315) 479-6753
 S Y S T E M S www.logicals.com, Email: info@logicals.com

PA-L2032-TQ Data Sheet

Doc: L2032TQ.DOC

Rev 1/28/97

Page 1 of 1