

PA705C8-Dx-QF Data Sheet

40 pin DIP socket/44 pin QFP plug

Supported Device/Footprints

The PA705C8-Dx-QF adapter accepts 40 pin DIP devices and has a removable 44 pin QFP solder-down plug. This allows DIP devices, or emulators with DIP plugs, to be used during development of QFP based products. Other devices that require the same wiring and footprint would also be supported.

The following DIP device footprints are converted to the indicated QFP footprint.

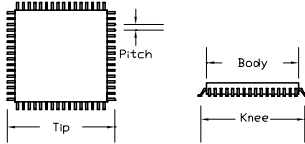
Motorola: MC68HC705C8, '705C9, '705C4
Footprint: Same device 44QFP

Other devices that require the same wiring would also be supported.

This QFP plug will fit most 44 pin, 0.8mm pitch, QFP land patterns. Usually the pads extend from the body past the tip of the device leads. This plug will fit on pads that have a minimum span of 10.0mm or less and a maximum span of 12.0mm or more.

Inner pad span	Outer pad span
10.0mm or less	12.0mm or more

The QFP Plug's leads are dimensioned as follows.



Plug	Body	Knee	Tip	Pitch
PQF-44	10.0 mm typ	9.6 mm typ	12.0 mm typ	0.8 mm

Adapter Construction

The adapter is made up of 3 or 4 sub-assemblies. They assemble via connectors making the adapter modular. This way the sub-assemblies can be replaced easily.

When disassembling the adapter take care not to bend the pins. When reassembling the adapter note the pin 1 indicators to align the parts correctly.

The following chart lists the adapters described by this datasheet and their subassemblies.

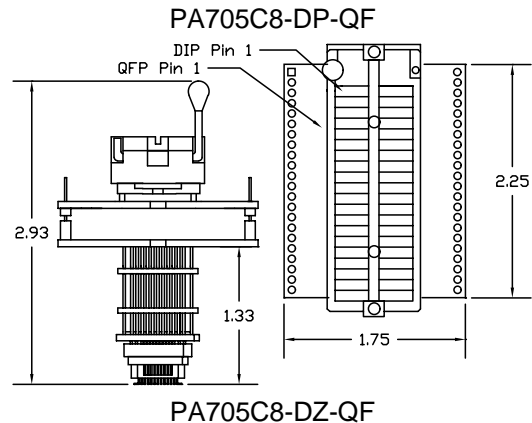
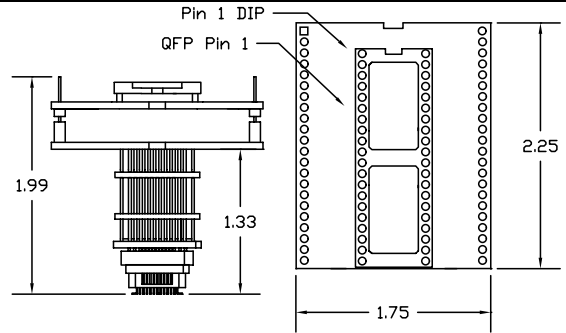
Adapter	Test Socket	Top Board	Bottom Board	QFP Plug
PA705C8-DP-QF	none *	44-40-CQ-DIP	44PLUG-Q	PQF-44
PA705C8-DZ-QF	40-ADZ *	44-40-CQ-DIP	44PLUG-Q	PQF-44

* The adapter always has a 40 pin DIP production socket. The optional test socket plugs into the production socket.

Test Socket

LSC #	Style	Mfgr/Pn
40ADZ	DIP ZIF	Aries 40-6554-11

Adapter Dimensions



Adapter Wiring

The following chart shows the connections from the DIP socket to the adapter's QFP plug.

DIP SOCKET	QFP PLUG	DIP SOCKET	QFP PLUG
11*	39	10**	
1	41	40	38
2	42	39	37
3	43	38	36
4	44	37	35
5	1	36	34
6	2	35	33
7	3	34	32
8	4	33	31
9	5	32	30
10	6	31	29
11*	7	30	28
12	8	29	27
13	9	28	26
14	10	27	25
15	11	26	24
16	12	25	23
17	13	24	21
18	14	23	20
19	15	22	19
20	17	21	18

Skip and short notation

QFP pin numbers: (39, 40, 16, 22) (no shorts)

header pin numbers: (1, 2, 22, 28) (no shorts)