

# PA705C8-DP(-PP) Data Sheet

40 pin DIP ZIF socket/44 pin PLCC plug

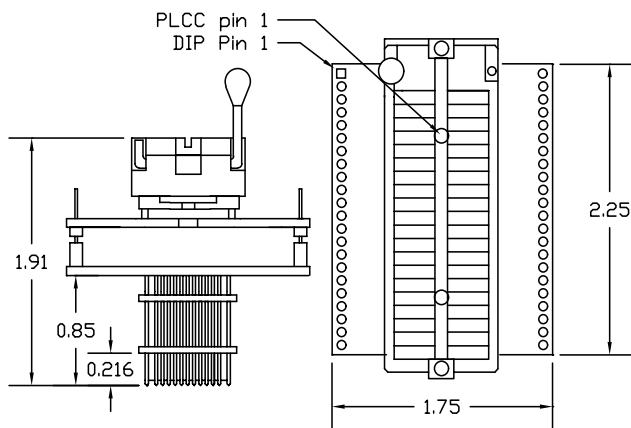
## Supported Device/Footprints

The PA705C8-DP adapter accepts 40 pin DIP devices and plugs into 44 pin PLCC production sockets. This allows DIP devices, or emulators with DIP plugs, to be used during development of PLCC based products.

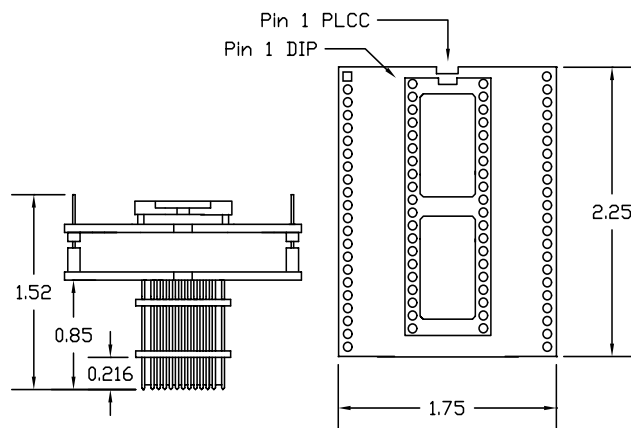
The PA705C8-DP-PP adapter has only a 40 pin production socket on the top board. No DIP ZIF socket.

Socket			Plug	
Mfgr	Device	Package	Device	Plug
Motorola	MC68HC705C8	40 pin DIP	MC68HC711C8	44 pin PLCC

## Adapter Dimensions



PA705C8-DP



PA705C8-DP-PP

## Adapter Construction

The adapter is made up of 3 sub-assemblies. They assemble via connectors making the adapter modular. This way the sub-assemblies can be replaced when they wear out.

When disassembling the adapter take care not to bend the pins. When reassembling the adapter note the pin 1 indicators to align the parts correctly.

## Test Socket

Aries Part #: 40-6554-11

LSC Part #: 40ADZ

## 40-44-C8

Accepts the test socket and performs the wiring in the Adapter Wiring section.

## 44PLUG

Provides the PLCC plug.

## Adapter Wiring

The following chart shows the connections from the DIP device to the adapter's PLCC plug.

705C8 SIGNAL	705C9 SIGNAL	DIP PIN	PLCC PIN	PLCC PIN	DIP PIN	705C9 SIGNAL	705C8 SIGNAL
RST*	RST*	1	1	44	40	VDD	VDD
IRQ*	IRQ*	2	2	43	39	OSC1	OSC1
N/C	VPP	3	3	42	38	OSC2	OSC2
VPP	N/C		4	41	37	TCAP	TCAP
PA7	PA7	4	5	40	36	PD7	N/C
PA6	PA6	5	6	39		N/C	PD7
PA5	PA5	6	7	38	35	TCMP	TCMP
PA4	PA4	7	8	37	34	PD5	PD5
PA3	PA3	8	9	36	33	PD4	PD4
PA2	PA2	9	10	35	32	PD3	PD3
PA1	PA1	10	11	34	31	PD2	PD2
PA0	PA0	11	12	33	30	PD1	PD1
PB0	PB0	12	13	32	29	PD0	PD0
PB1	PB1	13	14	31	28	PC0	PC0
PB2	PB2	14	15	30	27	PC1	PC1
PB3	PB3	15	16	29	26	PC2	PC2
PB4	N/C	16	17	28	25	PC3	PC3
N/C	PB4		18	27	24	PC4	PC4
PB5	PB5	17	19	26	23	PC5	PC5
PB6	PB6	18	20	25	22	PC6	PC6
PB7	PB7	19	21	24	21	PC7	PC7
VSS	VSS	20	22	23	-	N/C	N/C