

# PA44-40-34QD-14C Data Sheet

44 pin QFP socket/40 pin DIP 0.6" plug

## Supported Device/Footprints

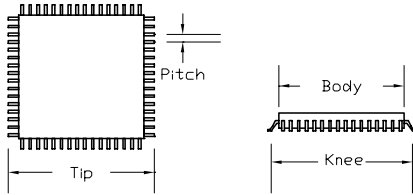
This adapter allows programming of several QFP devices in their DIP footprint. A partial list is:

**Zilog:** Z86C34/ C35/ C36/ C44/ C45/ C46

**Footprint:** Same device 40DIP

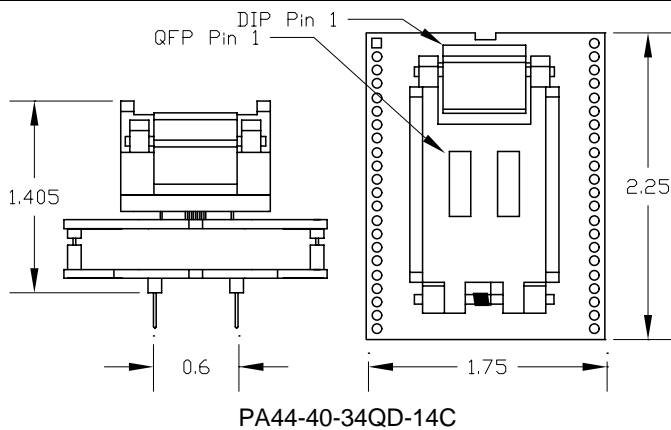
Other devices that require the same wiring and footprint would also be supported.

The QFP socket accepts packages with the dimensions listed below:



Socket	Body	Knee	Tip	Pitch
44QF-14C QFP	10.0 mm typical	12.8 mm typical	13.9 mm typical	0.8 mm

## Adapter Dimensions



## Adapter Construction

The adapter is made up of 3 sub-assemblies. They assemble via connectors making the adapter modular. This way the sub-assemblies can be replaced easily.

When disassembling the adapter take care not to bend the pins. When reassembling the adapter note the pin 1 indicators to align the parts correctly.

The following chart shows the various socket and board part numbers that make up these adapters.

Adapter	Socket	Top Board	Bottom Board
PA44-40-34QD-14C	44QF-14C	44QF-16	44-40-34

## Test Sockets

LSC #	Style	Mfgr/Pn
44QF-14C	Lidded ZIF	Enplas FPQ-44-0.8-14C

## Adapter Wiring

The following chart shows the connections from the QFP device to the adapter's DIP plug.

QFP Socket	SIGNAL	DIP Plug	DIP Plug	SIGNAL	QFP Socket
1	P05	6	5	P04	44
2	P06	7	4	P27	43
3	P14	8	3	P26	42
4	P15	9	2	P25	41
5	P07	10	1	R/W	40
6	Vcc	11	-	N/C	39
7	Vcc	11	40	DS	38
8	P16	12	39	P24	37
9	P17	13	38	P23	36
10	XTAL2	14	37	P22	35
11	XTAL1	15	36	P21	34
12	P31	16	35	P20	33
13	P32	17	34	P03	32
14	P33	18	33	P13	31
15	P34	19	32	P12	30
16	AS	20	31	GND	29
17	R/RL	-	31	GND	28
18	RESET	21	30	P02	27
19	P35	22	29	P11	26
20	P37	23	28	P10	25
21	P36	24	27	P01	24
22	P30	25	26	P00	23

Skip short notation:

QFP pins: (6, 17, 28, 39), (6-7), (28-29)

Header pins: (1, 12, 23, 34) (12-13), (34-35).

Note 1: There is no DIP pin for R/RL. The QFP pin is left floating on the adapter. If needed, there are jumper points labeled on the bottom board for R/RL, Vcc, & GND.

**LOGICAL**

Logical Systems Corporation  
PO Box 6184, Syracuse, NY 13217-6184 USA  
Tel (315) 478-0722, FAX (315) 479-6753  
S Y S T E M S www.logicals.com, Email: info@logicals.com

PA44-40-34QD-14C Data Sheet

Doc: 444034QD.DOC

Rev 08/07/00

Page 1 of 1