

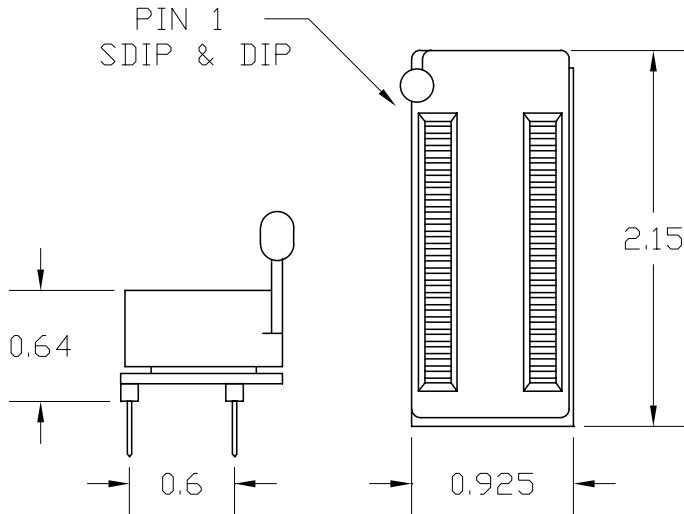
# PA42-SDZ Data Sheet

## 42 pin SDIP ZIF socket/42 pin DIP 0.6" plug

### Supported Device/Footprints

The PA42-SDZ adapter accepts a 42 pin Shrink DIP package and connects the pins to a 42 pin DIP footprint. It is a generic adapter that can be used for programming or prototyping.

### Adapter Dimensions



### Adapter Wiring

The following chart shows the connections between the Shrink DIP device and the adapter's DIP plug. This adapter is wired 1:1.

DEVICE	PLUG	PLUG	DEVICE
1	1	42	42
2	2	41	41
3	3	40	40
4	4	39	39
5	5	38	38
6	6	37	37
7	7	36	36
8	8	35	35
9	9	34	34
10	10	33	33
11	11	32	32
12	12	31	31
13	13	30	30
14	14	29	29
15	15	28	28
16	16	27	27
17	17	26	26
18	18	25	25
19	19	24	24
20	20	23	23
21	21	22	22

### Adapter Construction

The adapter is made up of 2 sub-assemblies. The test socket has been soldered to the PC Board and is not easily removed.

#### Test Socket

LSC Part #: 42-TSDZ    Textool Part #: 242-1293-0602

#### 42-40-SD-42

Accepts the socket and connects the pins to the DIP plug. The board has two DIP patterns. The 42 pin pattern is populated.