

# PA34-32-1SP6 Data Sheet

## 34 pin SO (0.040" pitch) socket/32 pin DIP 0.6" plug

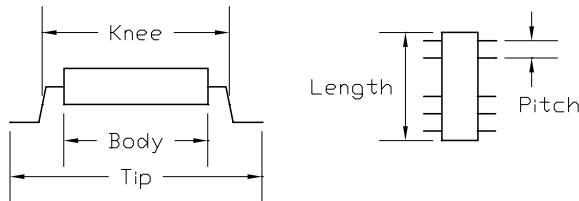
### Supported Device/Footprints

This PA34-32-1SP6 adapter allows programming of an STMicro ST7263 in a 34 pin SOIC package in its 32 pin DIP footprint.

Other devices that fit this adapter and require the same wiring will also work with this adapter.

### Device Dimensions

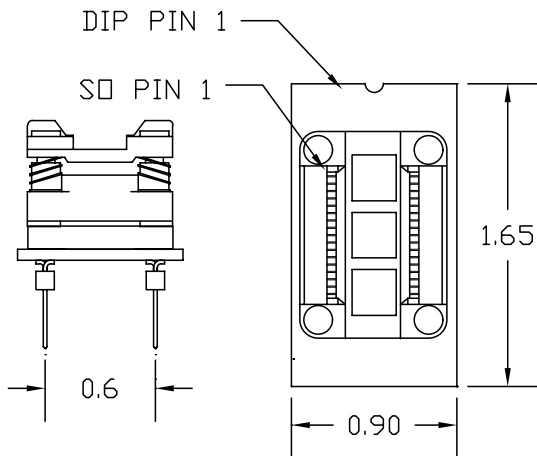
This socket can accept devices of the following dimensions:



Body mm (inches)			Knee mm (inches)		
min.	typ.	max.	min.	typ.	max.
n/a	7.62 (0.300)		8.12 (0.320)		9.19 (0.362)

Tip mm (inches)			Body Length	Lead Pitch
min.	typ.	max.	n/a	1.02 (0.040)
10.16 (0.400)		10.41 (0.410)		

### Adapter Dimensions



### Adapter Construction

The adapter is made up of 2 sub-assemblies. They assemble via connectors making the adapter modular. This way the sub-assemblies can be replaced easily.

When disassembling the adapter take care not to bend the pins. When reassembling the adapter note the pin 1 indicators to align the parts correctly.

The following chart shows the socket and board part numbers that make up this adapter.

Adapter	Test Socket	Circuit Board	DIP Plug
PA34-32-1SP6	34SL-P	34321SP6	0.6"

### Test Socket

LSC #	Mfgr/Part Number	Style
34SL-P	Plastronics P2034SO	Open Top

### Adapter Wiring

The following chart shows the connections from the SOIC device to the adapter's DIP plug.

SOIC Device	PLUG
1	1
2	2
3	3
4	4
5	5
6	6
7	7
8	8
9	-
10	9
11	10
12	11
13	12
14	13
15	14
16	15
17	16
18	17
19	18
20	19
21	20
22	22
23	23
24	21
25	24
26	-
27	25
28	26
29	27
30	28
31	29
32	30
33	31
34	32

Skips: 9,26