

# PAXX-SO-652D-x Data Sheet

20-32 pin SO socket/DIP 0.3" or 0.6" plug

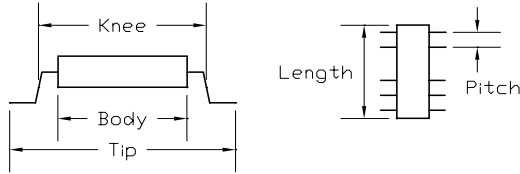
## Supported Device/Footprints

Using these adapters, 20 through 32 pin SO packages with a body width of 7.4mm - 7.7mm and lead pitch of 1.27mm can be programmed on DIP programmers.

Each adapter is for a particular pin count. Lower pin count devices can fit in the socket but will not be aligned by the socket. If desired, a careful user can align the device before closing the socket.

## Device Dimensions

This socket can accept devices of the following dimensions:

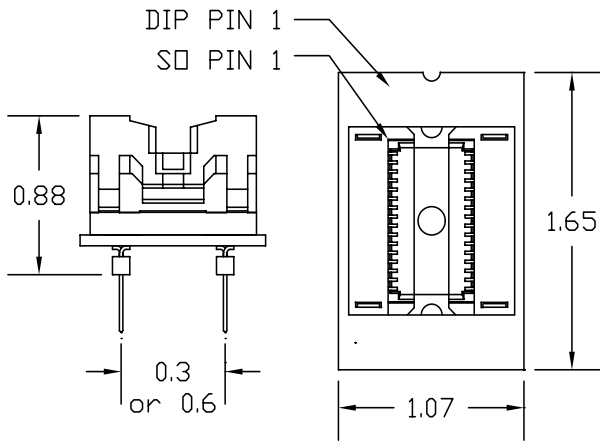


| Body mm (inches) |         |         | Knee mm (inches) |         |         |
|------------------|---------|---------|------------------|---------|---------|
| min.             | typ.    | max.    | min.             | typ.    | max.    |
| 7.4              | 7.55    | 7.7     | n/a              | 8.9     | 9.0     |
| (0.291)          | (0.297) | (0.303) |                  | (0.350) | (0.354) |

| Tip mm (inches) |         |         | Body Length | Lead Pitch |
|-----------------|---------|---------|-------------|------------|
| min.            | typ.    | max.    | 20.73       | max. 1.27  |
| 10.37           | 10.57   | 10.77   | (.816)      | (0.050)    |
| (0.408)         | (0.416) | (0.424) |             |            |

## Adapter Dimensions



PA32SO-652D-6

## Adapter Parts & Part Numbers

The following chart shows the various socket and board part numbers that make up these adapters.

| Adapter        | Plug | Socket    | Board        |
|----------------|------|-----------|--------------|
| PA20-SO-652D-3 | 0.3" | 20SD-652D | 32SO-W1-3-20 |
| PA20-SO-652D-6 | 0.6" | 20SD-652D | 32SO-W1-6-20 |
| PA24-SO-652D-3 | 0.3" | 24SD-652D | 32SO-W1-3-24 |
| PA24-SO-652D-6 | 0.6" | 24SD-652D | 32SO-W1-6-24 |
| PA28-SO-652D-3 | 0.3" | 28SD-652D | 32SO-W1-3-28 |
| PA28-SO-652D-6 | 0.6" | 28SD-652D | 32SO-W1-6-28 |
| PA32-SO-652D-3 | 0.3" | 32SD-652D | 32SO-W1-3    |
| PA32-SO-652D-6 | 0.6" | 32SD-652D | 32SO-W1-6    |

## Adapter Construction

The adapter is made up of 2 sub-assemblies. They assemble via connectors making the adapter modular. This way the sub-assemblies can be replaced easily.

When disassembling the adapter take care not to bend the pins. When reassembling the adapter note the pin 1 indicators to align the parts correctly.

## Test Socket

| LSC #     | Style    | Mfgr/Pn           |
|-----------|----------|-------------------|
| 20SD-652D | Open Top | Wells 652D0202211 |
| 24SD-652D | Open Top | Wells 652D0242211 |
| 28SD-652D | Open Top | Wells 652D0282211 |
| 32SD-652D | Open Top | Wells 652D0322211 |

## Wiring

Wiring is 1 to 1. Pin 1 of the SO device is wired to pin 1 of the DIP plug. Pin 2 to pin 2 and so on around the adapter.



Logical Systems Corporation  
 PO Box 6184, Syracuse, NY 13217-6184 USA  
 Tel (315) 478-0722, FAX (315) 479-6753  
 www.logicalsyst.com, Email: info@logicalsyst.com

PAXXSO1-652D-x Data Sheet  
 Doc: 32SO-W1.DOC  
 Rev 5/28/2003  
 Page 1 of 1