

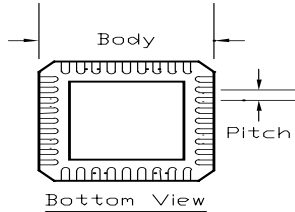
# PA32QFN-32-1 Data Sheet

32 pin QFP socket/32 pin DIP 0.6" plug

## Supported Device/Footprints

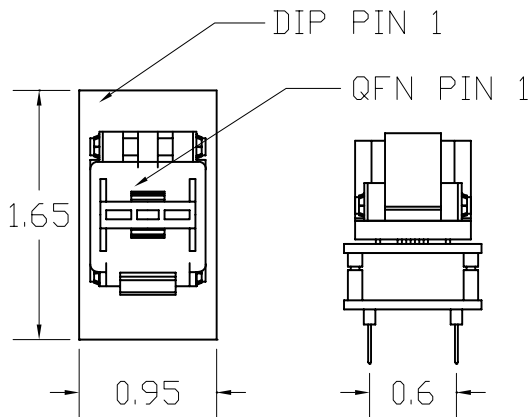
This adapter allows programming of many 32 pin QFN devices in their 32 pin DIP footprint.

The QFN socket accepts packages with the dimensions listed below:



| Socket     | Body       | Pitch   |
|------------|------------|---------|
| 32QNG-7070 | 7.0 mm typ | 0.65 mm |

## Adapter Dimensions



PA32QFN-32

## Adapter Construction

The adapter is made up of 3 sub-assemblies. They assemble via connectors making the adapter modular. This way the sub-assemblies can be replaced when they wear out.

When disassembling the adapter take care not to bend the pins. When reassembling the adapter note the pin 1 indicators to align the parts correctly.

The following chart shows the various socket and board part numbers that make up these adapters.

| Adapter    | Test Socket | Top Board | Bottom Board |
|------------|-------------|-----------|--------------|
| PA32QFN-32 | 32QNG-7070  | 32QFN-T   | 32-32-1-6    |

## Test Socket

| LSC #      | Style      | Mfgr/Pn                  |
|------------|------------|--------------------------|
| 32QNG-7070 | Lidded ZIF | Plastronics 32QN65T17070 |

## Adapter Wiring

This adapter is wired 1 to 1. The following chart shows the connections from the QFN device to the adapters DIP plug.

| DEVICE | PLUG | PLUG | DEVICE |
|--------|------|------|--------|
| 1      | 1    | 32   | 32     |
| 2      | 2    | 31   | 31     |
| 3      | 3    | 30   | 30     |
| 4      | 4    | 29   | 29     |
| 5      | 5    | 28   | 28     |
| 6      | 6    | 27   | 27     |
| 7      | 7    | 26   | 26     |
| 8      | 8    | 25   | 25     |
| 9      | 9    | 24   | 24     |
| 10     | 10   | 23   | 23     |
| 11     | 11   | 22   | 22     |
| 12     | 12   | 21   | 21     |
| 13     | 13   | 20   | 20     |
| 14     | 14   | 19   | 19     |
| 15     | 15   | 18   | 18     |
| 16     | 16   | 17   | 17     |