

PA280-DP(-PP) Data Sheet

40 pin DIP socket/44 pin PLCC plug

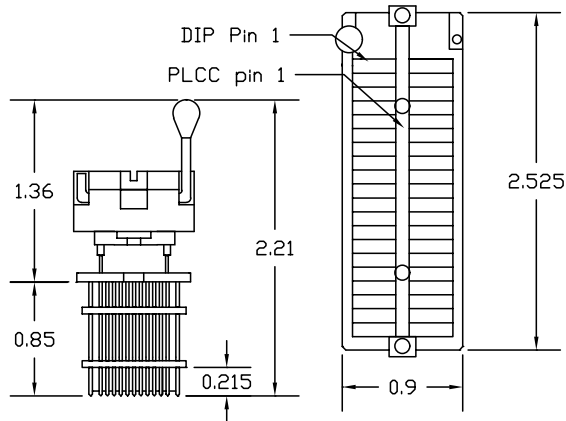
Supported Device/Footprints

This adapter accepts a DIP device and provides a PLCC plug that can be plugged into an emulator's production socket. Following is a partial list of supported devices:

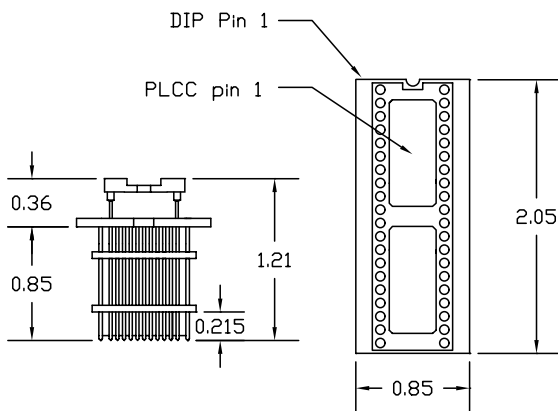
Mfgr	Device		Emulator	Footprint	
	Device	Package		Emulator	Plug
Intel	27C210	DIP	Many	44 pin PLCC	
	27C220				
	27C240				
	27C280				
Several	27C1024	DIP	Many	44 pin PLCC	
	27C2048				
	27C4096				

The PA280-DP-PP has a production socket only.

Adapter Dimensions



PA280-DP



PA280-DP-PP

Adapter Construction

The adapter is made up of 2 sub-assemblies. They assemble via connectors making the adapter modular. This way the sub-assemblies can be replaced when they wear out.

When disassembling the adapter take care not to bend the pins. When reassembling the adapter note the pin 1 indicators to align the parts correctly.

Test Socket

DIP ZIF test socket:

Aries Part #: 40-6554-11

LSC Part #: 40ADZ

280-DP

Accepts the test socket and remaps the signals to the PLCC plug.

Test Points

are available using the DIP socket pins (.020 dia. x .130 high).

Adapter Wiring

The following chart shows the connections from the DIP device to the adapter's PLCC plug.

DEVICE	PLUG	PLUG	DEVICE
1	2	1	NC
2	3	44	40
3	4	43	39
4	5	42	38
5	6	41	37
6	7	40	36
7	8	39	35
8	9	38	34
9	10	37	33
10	11	36	32
11	12	35	31
NC	13	34	30
12	14	33	NC
13	15	32	29
14	16	31	28
15	17	30	27
16	18	29	26
17	19	28	25
18	20	27	24
19	21	26	23
20	22	25	22
NC	23	24	21

Skip PLCC pins 1, 13, 23, 33



Logical Systems Corporation
 PO Box 6184, Syracuse, NY 13217-6184 USA
 Tel (315) 478-0722, FAX (315) 479-6753
 S Y S T E M S www.logicals.com, Email: info@logicals.com

PA280-DP(-PP) Data Sheet
 Doc: 280-DP.DOC
 Rev 2/5/99
 Page 1 of 1