

# PA2500-DP (-PP) Data Sheet

40 pin DIP socket/44 pin PLCC plug

## Supported Device/Footprints

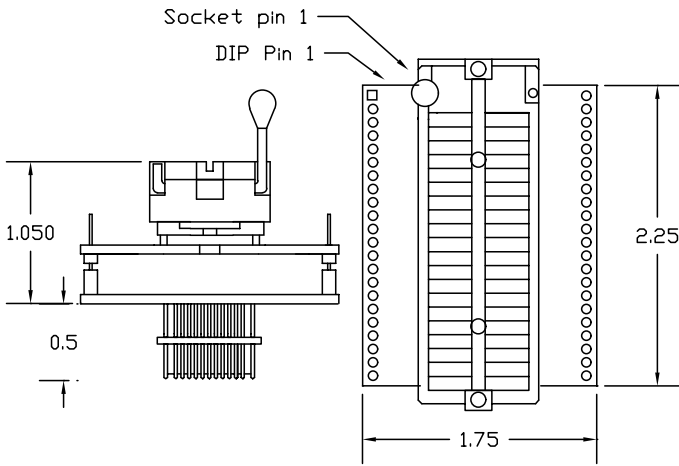
Using this adapter, the Atmel ATV2500 in the DIP package can be plugged into an emulator.

Device			Footprint	
Mfgr	Device	Package	Device	Plug
Atmel	ATV2500	DIP	ATV2500	44 pin PLCC

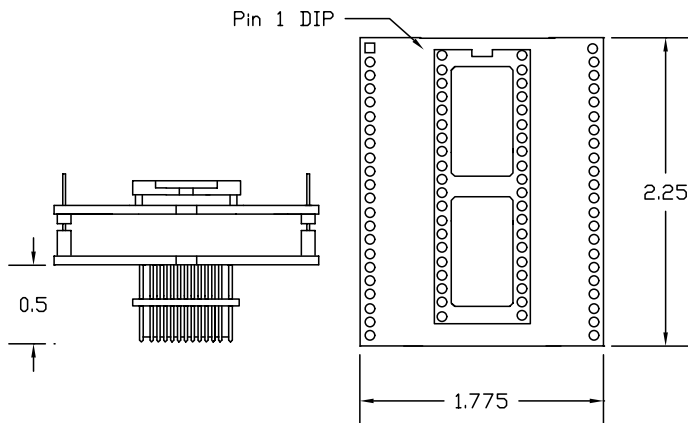
The PA2500-DP has a DIP ZIF socket.

The PA2500-DP-PP has a production socket only.

## Adapter Dimensions



PA2500-DP



PA2500-DP-PP

## Adapter Parts & Part Numbers

The following chart shows the various socket and board part numbers that make up these adapters.

Adapter	Socket	Top Board	Bottom Board
PA2500-DP	40ADZ	2500-DIP	44PLUG
PA2500-DP-PP	40 Production	2500-DIP	44PLUG

## Adapter Construction

The adapter is made up of 3 sub-assemblies. They assemble via connectors making the adapter modular. This way the sub-assemblies can be replaced when they wear out.

When disassembling the adapter take care not to bend the pins. When reassembling the adapter note the pin 1 indicators to align the parts correctly.

### Test Socket

DIP ZIF test socket:

Aries Part #: 40-6554-11

LSC Part #: 40ADZ

The PA2500-DP-PP has a production socket only.

### 40-44-13-DIP

Accepts the test socket and connects to the bottom board.

### 44PLUG

Provides the PLCC plug.

## Adapter Wiring

The following chart shows the connections from the DIP device to the adapter's PLCC plug.

DEVICE	SIGNAL	PLUG	PLUG	SIGNAL	DEVICE
1	IN	1	44	IN	40
2	IN	2	43	IN	39
3	IN	3	42	IN	38
-	N/C	4	41	IN	37
4	I/O0	5	40	I/O6	36
5	I/O1	6	39	I/O7	35
6	I/O2	7	38	I/O8	34
7	I/O3	8	37	I/O9	33
8	I/O4	9	36	I/O10	32
9	I/O5	10	35	I/O11	31
10	VCC	11	34	GND	30
10	VCC	12	33	GND	30
11	I/O17	13	32	I/O23	29
12	I/O16	14	31	I/O22	28
13	I/O15	15	30	I/O21	27
14	I/O14	16	29	I/O20	26
15	I/O13	17	28	I/O19	25
16	I/O12	18	27	I/O18	24
17	IN	19	26	N/C	-
18	IN	20	25	IN	23
19	IN	21	24	IN	22
20	IN	22	23	IN	21

VCC to GND .1uf bypass

Skip: PLCC pins 4, 12, 26, 34

Short: PLCC pins 11-12(VCC), 33-34(GND)

**LOGICAL**

Logical Systems Corporation  
 PO Box 6184, Syracuse, NY 13217-6184 USA  
 Tel (315) 478-0722, FAX (315) 479-6753  
 S Y S T E M S www.logicalsyst.com, Email: info@logicalsyst.com

PA2500-DP (-PP) Data Sheet  
 Doc: 2500-DP.DOC  
 Rev 12/29/97  
 Page 1 of 1