

# PA20-08-2-2808-3(6) Data Sheet

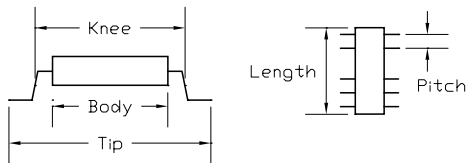
20 Pin SO socket/8 Pin DIP 0.3" or 0.6" plug

## Supported Device/Footprints

Using this adapter, several Atmel EEPROM's in their 20 pin SO package can be programmed in their 8 pin DIP footprint. This adapter is general purpose, and is known to work for the following devices:

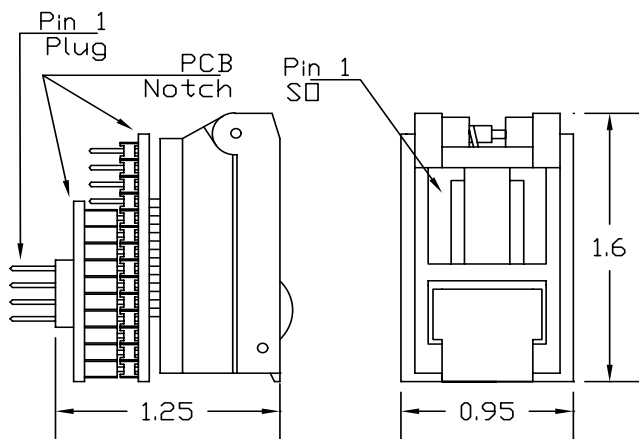
Mfgr	Device	Package	Device	Footprint Package
Atmel	AT17C65	SO	AT17C65	DIP
"	AT17C128	"	AT17C128	"
"	AT17C256	"	AT17C256	"

The SO socket accepts packages with the dimensions listed below:



Body mm (inches)			Knee mm (inches)		
min.	typ.	max.	min.	typ.	max.
7.4 (0.291)	7.8 (0.307)	7.9 (0.311)	n/a	9.3 (0.366)	9.4 (0.370)
Tip mm (inches)			Body Length	Lead Pitch	
min.	typ.	max.	n/a	1.27	
10.0 (0.394)	11.6 (0.457)	n/a			

## Adapter Dimensions



## Adapter Construction

The adapter is made up of 3 sub-assemblies. They assemble via connectors making the adapter modular. This way the sub-assemblies can be replaced when they wear out.

When disassembling the adapter take care not to bend the pins. When reassembling the adapter note the pin 1 indicators to align the parts correctly.

### Test Socket

SO Lidded test socket:

Enplas Part #: FP-20(28)-1.27-08

LSC Part #: 20(28H)SD-08

### 28SO08

Accepts the test socket and connects to the bottom board.

### 20-08-2-(3 or 6)

Performs the wiring shown in the Adapter Wiring section

## Adapter Wiring

The following chart shows the connections from the SO device to the adapter's DIP plug.

DEVICE	SIGNAL	PLUG
1	NC	-
2	DATA	1
3	NC	-
4	CLK	2
5	NC	-
6	RESET/OE*	3
7	NC	-
8	CE*	4
9	NC	-
10	GND	5
11	NC	-
12	NC	-
13	NC	-
14	CEO*	6
15	NC	-
16	NC	-
17	SER_EN*	7
18	NC	-
19	NC	-
20	VCC	8

**LOGICAL**

Logical Systems Corporation  
 PO Box 6184, Syracuse, NY 13217-6184 USA  
 Tel (315) 478-0722, FAX (315) 479-6753  
 S Y S T E M S www.logicals.com, Email: info@logicals.com

PA20-08-2-2808-3(6) Data Sheet  
 Doc: 20SO8-2.DOC  
 Rev 3/6/98  
 Page 1 of 1