

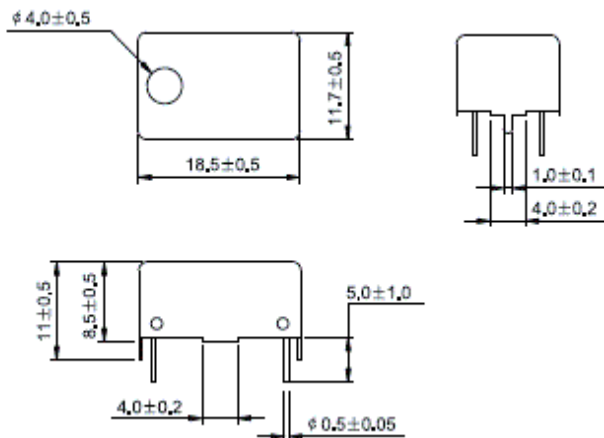
CT18S VC / TCXO

18.5 x 11.7 x 11.0mm
9.600MHz to 40.000MHz

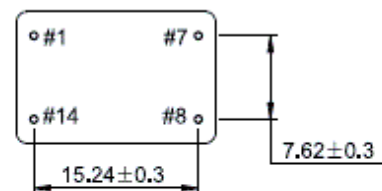
RoHS Compliant
Clipped Sinewave
3.3 or 5.0VDC
VC Option on Pin 1

Mechanical Dimensions

Dimensions are in millimeters



Land Pattern



PIN CONNECTION

1 V_C or N_C
7 GND
8 OUTPUT
14 V_{DD}

Electrical Specifications

Frequency Range	9.600MHz To 40.000MHz
Frequency Deviation	±5.0ppm or 10ppm minimum Over Control Voltage
Frequency Stability	Vs. Operating Temp Rang: See Part Numbering Guide Vs. Input Voltage (±5%) : ± 0.3ppm Max Vs. Load (±10%): ± 0.3ppm Max
Supply Voltage	3.3VDC ± 5% or 5.0VDC ± 5%
Output Voltage Logic High (V _{OH}) Logic Low (V _{OL})	0.8Vp-p Min (V _{DD} : 3.3V _{DC}) 1.0Vp-p Min (V _{DD} : 5.0V _{DC})
Load Drive Capability	10kOhms//10pF
Control Voltage (External)	1.65V _{DC} ± 1.65V _{DC} (V _{DD} : 3.3V _{DC}), 2.5V _{DC} ± 2.0V _{DC} (V _{DD} : 5.0V _{DC}) (Positive Transfer Characteristic)
Internal Trim (Top of Can)	±3ppm min
Input Current	9.600 to 27.000MHz: 3mA Max 27.001 to 40.000MHz : 4mA Max
Rise / Fall Time	5nS Max
Duty Cycle	50±10%
Aging	±1ppm Per Year Max

Environmental & Mechanical

Shock	Mil-STD-883, Method 2002, Condition B
Solderability	Mil-STD-883, Method 2003
Solvent Resistance	Mil-STD-883, Method 215
Vibration	Mil-STD-883, Method 2007, Condition A

Part Numbering Guide

CT18S F 3 J 1 A-25.000MHz

Series
CT18S

Tolerance / Stability

B = 1.0ppm
C = 1.5ppm
D = 2.0ppm
E = 2.5ppm
F = 5.0ppm

Operating Temperature Range

2 = -0° to 55°C 6 = -30°C to 85°C
3 = -10°C to 60°C 7 = -40°C to 85°C
4 = -20°C to 70°C

Not all temp ranges available with all stabilities

Center Frequency
9.600MHz to 40.000MHz

Frequency Deviation

A = 10ppm
B = 5ppm

Pin One Connection

1 = No Connect
2 = Voltage Control

Supply Voltage

H = 3.3VDC
J = 5.0VDC

Part Marking Guide

Line #1	CFP CT18S
Line #2	XX.XXX M XX.XXX = Frequency (5 Digits Max + Decimal) M = Frequency Unit Of Measure (MHz)
Line #3	XX YY ZZ XX = Crescent Manufacturing Identifier YY = Last Two Digits of Year ZZ = Week of Year