

## CXM57C Series Multiple Frequency Oscillator

5x7 Ceramic 6 Pad

RoHS Compliant

CMOS

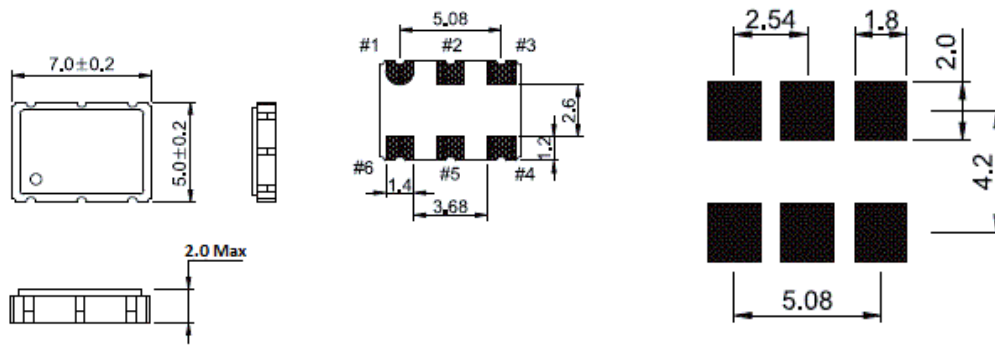
2.5V or 3.3V

10.000MHz to 250.000MHz

Up To Four Frequencies

Dimensions are in millimeters. Dot indicates pin one location.

Land Pattern



## Electrical Specifications

Frequency Range		10.000MHz to 250.000MHz
Operating Temperature Range		0°C to 70°C, -20° to 70°C or -40° to 85°C
Storage Temperature Range		-55°C to 125°C
Supply Voltage	VDD ±5%	2.5 Or 3.3
Waveform		CMOS
Supply Current	2.5VDC 3.3VDC	20mA Typical 25mA Typical
Load	2.5VDC 3.3VDC	15pF HCMOS 10 TTL Gates or 30pF HCMOS
Frequency Tolerance / Stability	Inclusive of Operating Temp Range, Supply Voltage and Load	10ppm,20ppm, 25ppm, 50ppm Or 100ppm
Duty Cycle	50% of Waveform	50 ± 5%
Rise Fall Time		4nSecond Max
Period Jitter (RMS)		<2.5pSecond Max
Phase Jitter	12KHz to 20MHz	<1.0pSecond Typical
Startup Time		10mSeconds Max
Vol		10% Vdd Max
Voh		90% Vdd Min
Tri-State	VIH≥70% of VDD VIH≤30% of VDD	Enables Output Disables Output: High Impedance
Tristate Current Consumption	Disabled	16mA
Aging		±5.0ppm First Year

Part Marking	
Line #1	CXM57C
Line #2	XX.XXX M XX.XXX = Frequency (5 Digits Max + Decimal) M = Frequency Unit Of Measure (MHz)
Line #3	XX YY ZZ XX = Crescent Manufacturing Identifier YY = Last Two Digits of Year ZZ = Week of Year

Pad Connections		Single Frequency
Pad 1	See Reference Table	Tristate or Frequency Select
Pad 2*	See Reference Table	No Connection
Pad 3	Ground	Ground
Pad 4	Output	Output
Pad 5	No Connect	No Connect
Pad 6	Supply Voltage	Supply Voltage

Dual Frequency Reference Table	
Pin 2	Corresponding Frequency
Ground	Frequency 1
Vdd	Frequency 2

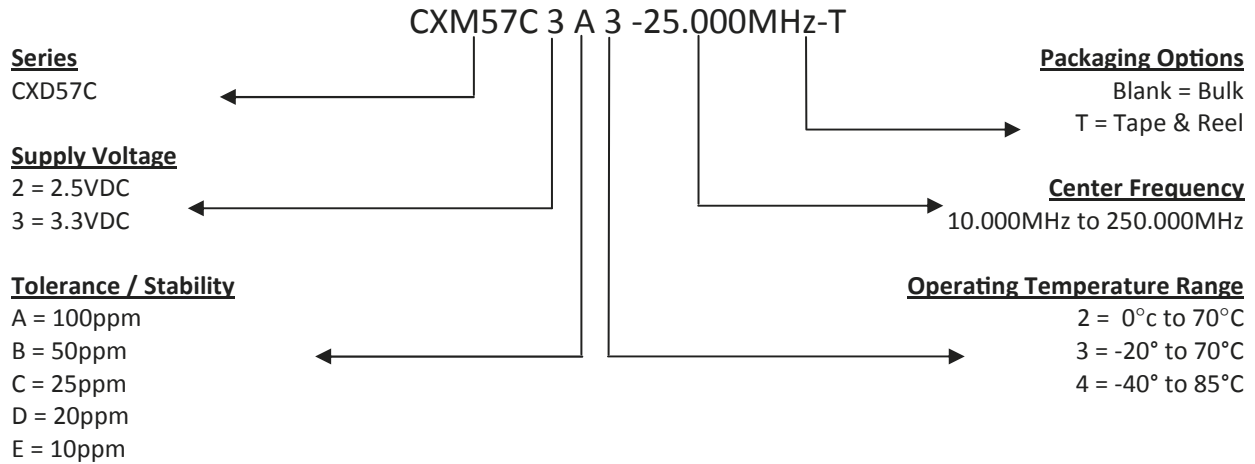
Quad Frequency Reference Table		
Pin 1	Pin 2	Corresponding Frequency
Ground	Ground	Frequency 1
Ground	Vdd	Frequency 2
Vdd	Ground	Frequency 3
Vdd	Vdd	Frequency 4

Phase Noise	
Offset Frequency	70.000MHz Output
100Hz	-88dBc/Hz
1KHz	-115dBc/Hz
10KHz	-120dBc/Hz
100KHz	-125dBc/Hz
1MHz	-130dBc/Hz
10MHz	-145dBc/Hz

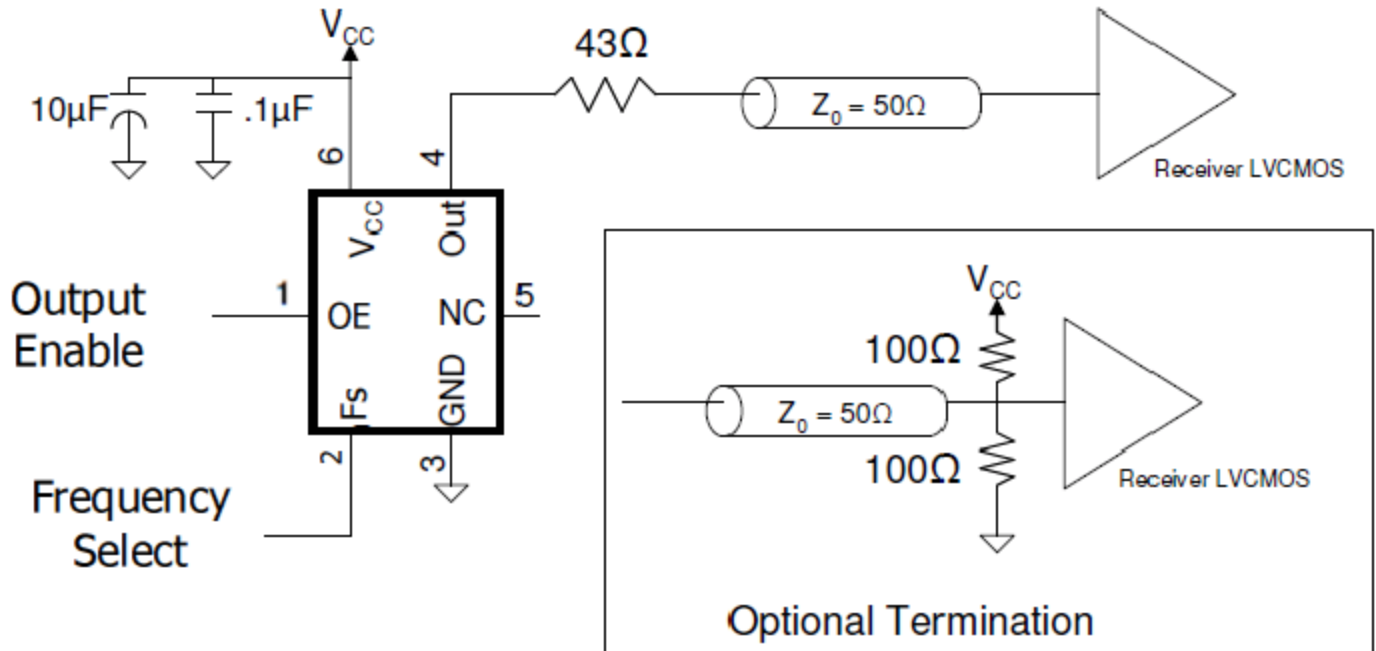
Mechanical / Environmental	
Shock	MIL-STD-883, Method 2002 Cond B
Solvent Resistance	MIL-STD-202, Method 215
Solderability	MIL-STD-883, Method 2003
MSL	Level 1 Per IPC/JEDEC J-STD 20
Gross Leak Test	MIL-STD-883, Method 1014, Cond C
Fine Leak Test	MIL-STD-883, Method 1014, Cond A2
Vibration	MIL-STD-883, Method 2007, Cond A

- \* Tristate Option Available
- \*\* No Tristate With Quad Frequency
- \*\*\* External Bypass Capacitor Recommended

## Part Numbering Guide



## Test Set Up



Pin 2 is Frequency Select With Dual Frequency