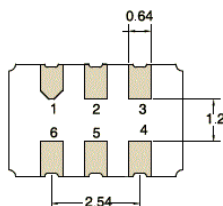
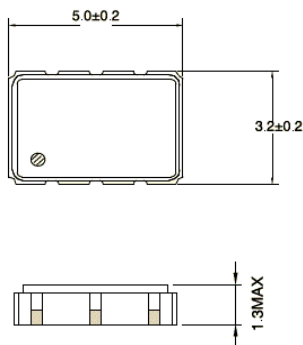


CF53L Series Clock Oscillator

5x3.2x1.6mm
Ceramic SMD 6 Pad
RoHS Compliant
LVDS Output
2.5 or 3.3VDC
80.000MHz to
160.000MHz
Non Multiplied

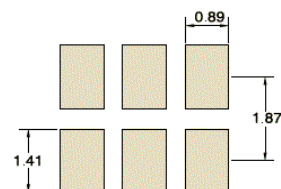
Mechanical Dimensions

Dimensions are in millimeters. Dot indicates pin one location.



CONNECTION
#1 Tri-State or N.C
#2 N.C
#3 GND
#4 OUTPUT 1
#5 OUTPUT 2
#6 Vdd

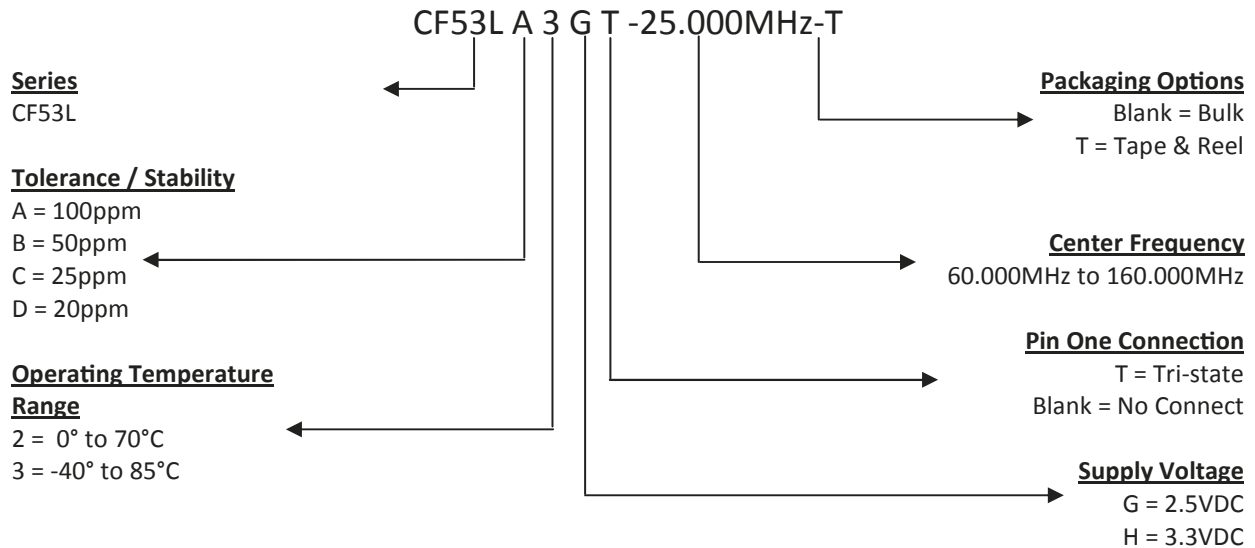
• Recommended Soldering Pattern



Electrical Specifications

Frequency Range		80.000MHz to 160.000MHz
Operating Temperature Range		0° to 70°C or -40° to 85°C
Storage Temperature Range		-55°C to 125°C
Supply Voltage	VDC ±5%	2.5 or 3.3
Supply Current	VDC = 2.5 VDC = 3.3	45mA Max 66mA Max
Output Voltage	Logic low Logic High	1.43V Typical to 1.6V Max 1.1V Typical to 0.9V Max
Output Differential Voltage		247 ~ 454mV, 350mV Typical
Offset Voltage		1.125 ~ 1.375mV, 1.2V Typical
Frequency Tolerance / Stability		20ppm, 25ppm, 50ppm or 100ppm
Duty Cycle	50% of Waveform	50 ± 5%
Rise Fall Time		300pS Typical 700pS Max (20 ~ 80% of Waveform)
Phase Jitter	12KHz to 20MHz Offset Freq.	1pSecond Max
Startup Time		10mSeconds Max
Output Load Condition		100Ω Differential Load
Pin 1 Tristate Input Voltage	No Connect VIH : ≥ 0.7VDD VIL : ≤ 0.3VDD	Enable Output Enable Output Disable Output: High Impedance

Part Numbering Guide



Part Marking Guide

Line #1	CXX.X C = Crescent Frequency identifier XX.X = Frequency (3 Digits Max + Decimal)
Line #2	YYZZ YY = Last Two Digits of Year ZZ = Week of Year

Solder Reflow

