

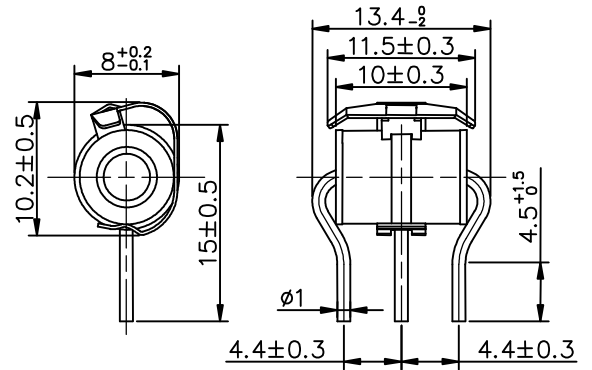
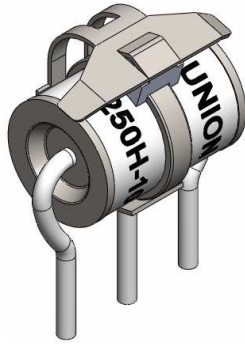
3-Electrode Gas Tube Arrester

UN3E8-250HMF With Fail Safe

φ8×10

10KA×2

Dimension



Unit:mm

Nickel-plated

| Electrical Specifications | | | Applications |
|---|---|----|--|
| DC Spark-over Voltage at 100V/S | 250±20% | V | <ul style="list-style-type: none"> u Branch exchange(MDF) u Telephone / Fax / modem protection u Date/Single line protection u XDSL-splitter u Cable TV / Coaxial cable protection u Tower mounted amplifier u Consumer electronics |
| Impulse Spark-over Voltage at 100V/μs | <600 | V | |
| Impulse Spark-over Voltage at 1KV/μs | <700 | V | |
| Life: | | | |
| Impulse Discharge current 8/20μs (±5 times) | 10×2 | KA | |
| 10/1000μs (300 times) | 100 | A | |
| AC Discharge current (1S,5times interval 3 minutes) | 10×2 | A | |
| Insulation resistance at DC 100V | >1000 | MΩ | |
| Electrode Capacitance at 1MHz | <1.5 | pF | |
| Arc Voltage at 1A | ~25 | V | |
| Glow Voltage at 1mA | ~70 | V | Feature <ul style="list-style-type: none"> u Non-Radioactive u RoHS Compliant u LOW Capacitance u High insulation resistance u Fast response-time u Reliable failsafe device u Standard size |
| Holdover Voltage at 100mA, <150mS | 135 | V | |
| Transverse delay time | < 0.2 | μs | |
| Weight | ~2.3 | g | |
| Operation and storage Temperature | -40~+90 | °C | |
| Marking, Black | UNION 250H-YY 250 -Nominal voltage H -20KA YY -Year of production | | |

Notes:

1. Terms in accordance with ITU-T K.12 and GB/T 9043-2008
2. At delivery AQL 0.65 level II , DIN ISO 2859
3. After life test:
 DC Spark-over Voltage at 100V/S : 250±30%
 Impulse Spark-over Voltage at 1KV/μs<800V