

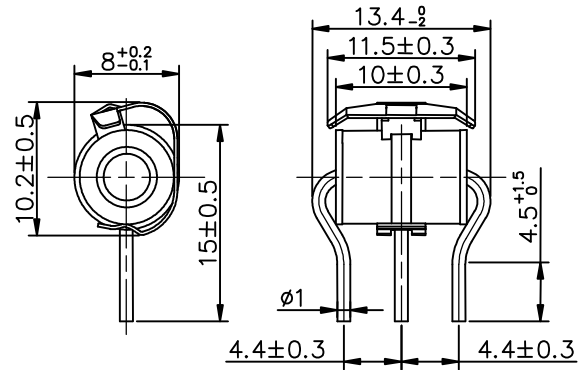
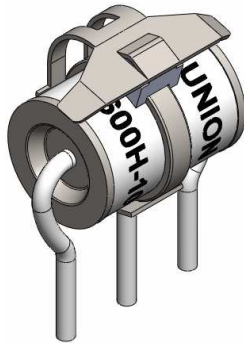
### 3-Electrode Gas Tube Arrester

UN3E8-600HMF With Fail Safe

φ8×10

10KA×2

#### Dimension



Unit:mm

Nickel-plated

Electrical Specifications			Applications
DC Spark-over Voltage at 100V/S	600±20%	V	<ul style="list-style-type: none"> <li>u Branch exchange(MDF)</li> <li>u Telephone / Fax / modem protection</li> <li>u Date/Single line protection</li> <li>u XDSL-splitter</li> <li>u Cable TV / Coaxial cable protection</li> <li>u Tower mounted amplifier</li> <li>u Consumer electronics</li> </ul>
Impulse Spark-over Voltage at 100V/μs	<1100	V	
Impulse Spark-over Voltage at 1KV/μs	<1200	V	
Life:			
Impulse Discharge current 8/20μs (±5 times)	10×2	KA	
10/1000μs (300 times)	100	A	
AC Discharge current (1S,5times interval 3 minutes)	10×2	A	
Insulation resistance at DC 100V	>1000	MΩ	
Electrode Capacitance at 1MHz	<1.5	pF	
Arc Voltage at 1A	~25	V	
Glow Voltage at 1mA	~70	V	<b>Feature</b> <ul style="list-style-type: none"> <li>u Non-Radioactive</li> <li>u RoHS Compliant</li> <li>u LOW Capacitance</li> <li>u High insulation resistance</li> <li>u Fast response-time</li> <li>u Reliable failsafe device</li> <li>u Standard size</li> </ul>
Holdover Voltage at 100mA, <150mS	150	V	
Transverse delay time	< 0.2	μs	
Weight	~2.3	g	
Operation and storage Temperature	-40~+90	°C	
Marking, Black	<b>UNION</b> <b>600H-YY</b> 600 -Nominal voltage H -20KA YY -Year of production		

#### Notes:

1. Terms in accordance with ITU-T K.12 and GB/T 9043-2008
2. At delivery AQL 0.65 level II , DIN ISO 2859
3. After life test:  
 DC Spark-over Voltage at 100V/S : 600±30%  
 Impulse Spark-over Voltage at 1KV/μs<1300V