

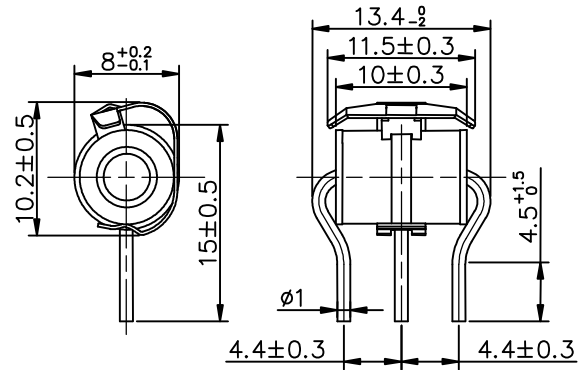
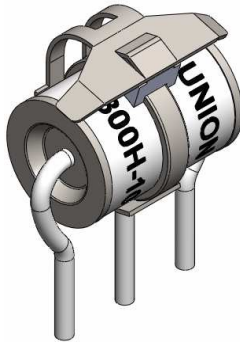
3-Electrode Gas Tube Arrester

UN3E8-800HMF With Fail Safe

φ8×10

10KA×2

Dimension



Unit:mm

Nickel-plated

Electrical Specifications			Applications
DC Spark-over Voltage at 100V/S	800±20%	V	u Branch exchange(MDF)
Impulse Spark-over Voltage at 100V/μs at 1KV/μs	<1300	V	u Telephone / Fax / modem protection
	<1400	V	u Date/Single line protection
Life: Impulse Discharge current 8/20μs (±5 times) 10/1000μs (300 times) AC Discharge current (1S,5times interval 3 minutes)	10×2	KA	u XDSL-splitter
	100	A	u Cable TV / Coaxial cable protection
	10×2	A	u Tower mounted amplifier
Insulation resistance at DC 100V	>1000	MΩ	u Consumer electronics
Electrode Capacitance at 1MHz	<1.5	pF	
Arc Voltage at 1A	~25	V	
Glow Voltage at 1mA	~70	V	
Holdover Voltage at 100mA, <150mS	150	V	
Transverse delay time	< 0.2	μs	
Weight	~2.3	g	
Operation and storage Temperature	-40~+90	°C	
Marking, Black	UNION 800H-YY 800 -Nominal voltage H -20KA YY -Year of production		u Non-Radioactive u RoHS Compliant u LOW Capacitance u High insulation resistance u Fast response-time u Reliable failsafe device u Standard size

Notes:

- Terms in accordance with ITU-T K.12 and GB/T 9043-2008
- At delivery AQL 0.65 level II, DIN ISO 2859
- After life test:
DC Spark-over Voltage at 100V/S : 800±30%
Impulse Spark-over Voltage at 1KV/μs<1500V