

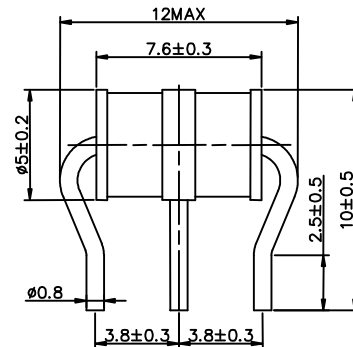
3-Electrode Gas Tube Arrester

UN3E5-350LM

φ5×7.6

2.5KA×2

Dimension



Unit: mm

Nickel-plated

| Electrical Specifications | | | Applications |
|--|--|----|---|
| DC Spark-over Voltage at 100V/S | 350±20% | V | <ul style="list-style-type: none"> u Branch exchange(MDF) u Date/Single line protection u Station protection u Telephone / Fax / modem protection u Consumer electronics |
| Impulse Spark-over Voltage at 100V/μs at 1KV/μs | <700 | V | |
| | <800 | V | |
| Life: Impulse Discharge current 8/20μs (±5 times) 10/1000μs (300 times) AC Discharge current (1S,5times interval 3 minutes) | 2.5×2 | KA | |
| | 100 | A | |
| | 2.5×2 | A | |
| Insulation resistance at DC 100V | >1000 | MΩ | |
| Electrode Capacitance at 1MHz | <1.5 | pF | |
| Arc Voltage at 1A | ~25 | V | |
| Glow Voltage at 1mA | ~70 | V | |
| Holdover Voltage at 100mA, <150mS | 150 | V | |
| Transverse delay time | < 0.2 | μs | |
| Weight | ~0.8 | g | |
| Operation and storage Temperature | -40~+90 | °C | |
| Marking, Black | <p style="text-align: center;">UNION 350L-YY</p> <p>350 -Nominal voltage L -5KA YY -Year of production</p> | | |

Feature

- u Non-Radioactive
- u ROHS Compliant
- u LOW Capacitance
- u High insulation resistance
- u Fast response-time
- u Very small size

Notes:

1. Terms in accordance with ITU-T K.12 and GB/T 9043-2008
2. At delivery AQL 0.65 level II , DIN ISO 2859
3. After life test:
DC Spark-over Voltage at 100V/S :350±30%
Impulse Spark-over Voltage at 1KV/μs<900V