

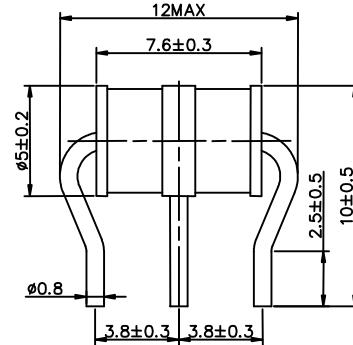
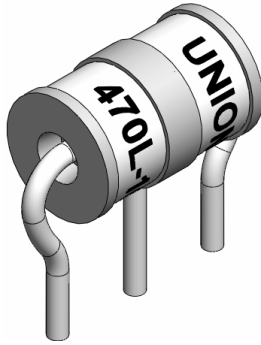
3-Electrode Gas Tube Arrester

UN3E5-470LM

Φ5×7.6

2.5KA×2

Dimension



Unit: mm

Nickel-plated

Electrical Specifications			Applications
DC Spark-over Voltage at 100V/S	470±20%	V	<ul style="list-style-type: none"> u Branch exchange(MDF) u Date/Single line protection u Station protection u Telephone / Fax / modem protection u Consumer electronics
Impulse Spark-over Voltage at 100V/μs at 1KV/μs	<900	V	
	<1000	V	
Life: Impulse Discharge current 8/20μs (±5 times) 10/1000μs (300 times) AC Discharge current (1S,5times interval 3 minutes)	2.5×2	KA	
	100	A	
	2.5×2	A	
Insulation resistance at DC 100V	>1000	MΩ	
Electrode Capacitance at 1MHz	<1.5	pF	
Arc Voltage at 1A	~25	V	
Glow Voltage at 1mA	~70	V	
Holdover Voltage at 100mA, <150mS	150	V	
Transverse delay time	< 0.2	μs	
Weight	~0.8	g	
Operation and storage Temperature	-40~+90	°C	
Marking, Black	<p style="text-align: center;">UNION 470L-YY</p> <p>470 -Nominal voltage L -5KA YY -Year of production</p>		

Feature

- u Non-Radioactive
- u ROHS Compliant
- u LOW Capacitance
- u High insulation resistance
- u Fast response-time
- u Very small size

Notes:

1. Terms in accordance with ITU-T K.12 and GB/T 9043-2008
2. At delivery AQL 0.65 level II , DIN ISO 2859
3. After life test:
DC Spark-over Voltage at 100V/S :470±30%
Impulse Spark-over Voltage at 1KV/μs<1100V