

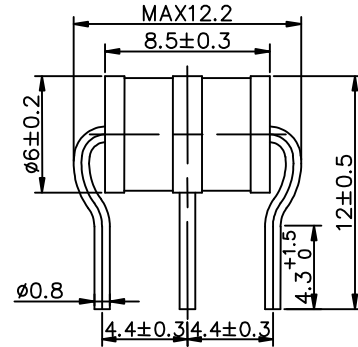
3-Electrode Gas Tube Arrester

UN3E6-420MM

φ6×8.5

5KA×2

Dimension



Unit:mm

Nickel-plated

Electrical Specifications			Applications
DC Spark-over Voltage at 100V/S	420±20%	V	<ul style="list-style-type: none"> u Branch exchange(MDF) u Date/Single line protection u Station protection u Telephone / Fax / modem protection u Consumer electronics
Impulse Spark-over Voltage at 100V/μs at 1KV/μs	<800	V	
	<900	V	
Life:			
Impulse Discharge current 8/20μs (±5 times)	5×2	KA	
10/1000μs (300 times)	100	A	
AC Discharge current (1S,5times interval 3 minutes)	5×2	A	
Insulation resistance at DC 100V	>1000	MΩ	
Electrode Capacitance at 1MHz	<1.5	pF	
Arc Voltage at 1A	~25	V	
Glow Voltage at 1mA	~70	V	
Holdover Voltage at 100mA, <150mS	150	V	
Transverse delay time	< 0.2	μs	
Weight	~1.3	g	
Operation and storage Temperature	-40~+90	°C	
Marking, Black	UNION 420M-YY 420 -Nominal voltage M -10KA YY -Year of production		

Notes:

1. Terms in accordance with ITU-T K.12 and GB/T 9043-2008
2. At delivery AQL 0.65 level II , DIN ISO 2859
3. After life test:
 DC Spark-over Voltage at 100V/S :420±30%
 Impulse Spark-over Voltage at 1KV/μs<1000V