

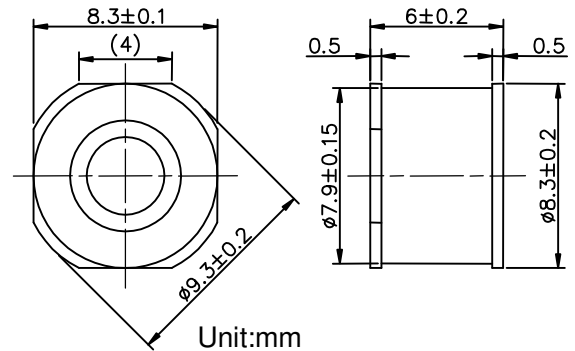
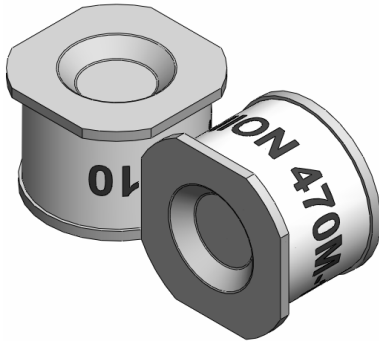
## 2-Electrode Gas Tube Arrester

UN2E8-470MSD

8.3×8.3×6

10KA

### Dimension



Tin-plated

### Electrical Specifications

DC Spark-over Voltage at 100V/S	470±20%	V
Impulse Spark-over Voltage	at 100V/μs	<900 V
	at 1KV/μs	<1000 V
Life:	Impulse Discharge current 8/20μs (±5 times)	10 KA
	10/1000μs (300 times)	100 A
	AC Discharge current (1S,5times interval 3 minutes)	10 A
Insulation resistance at DC 100V	>1000	MΩ
Electrode Capacitance at 1MHz	<1.5	pF
Arc Voltage at 1A	~25	V
Glow Voltage at 1mA	~70	V
Holdover Voltage at 100mA, <150mS	150	V
Weight	~1.5	g
Operation and storage Temperature	-40~+90	°C

### Applications

- u Line protection
- u Cable TV / Coaxial cable protection
- u Power supply
- u Consumer electronics

### Feature

- u Non-Radioactive
- u RoHS Compliant
- u LOW Capacitance
- u High insulation resistance
- u Fast response-time
- u Small size

### Marking, Black

**UNION 470M-YY**  
 470 -Nominal voltage  
 M -10KA  
 YY -Year of production

### Notes:

1. Terms in accordance with ITU-T K.12 and GB/T 9043-2008
2. At delivery AQL 0.65 level II, DIN ISO 2859
3. After life test:  
 DC Spark-over Voltage at 100V/S : 470±30%  
 Impulse Spark-over Voltage at 1KV/μs<1100V