

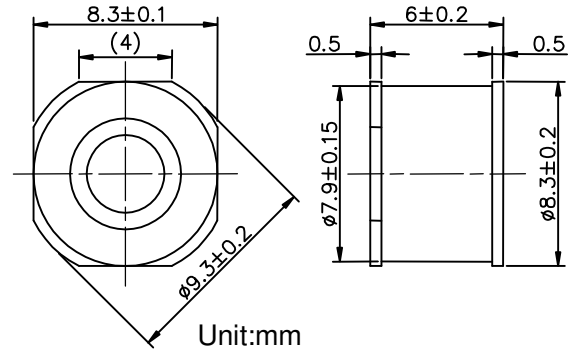
## 2-Electrode Gas Tube Arrester

UN2E8-600MSD

8.3×8.3×6

10KA

### Dimension



Tin-plated

### Electrical Specifications

DC Spark-over Voltage at 100V/S	600±20%	V
Impulse Spark-over Voltage at 100V/μs	<1100	V
at 1KV/μs	<1200	V
Life:		
Impulse Discharge current 8/20μs (±5 times)	10	KA
10/1000μs (300 times)	100	A
AC Discharge current (1S,5times interval 3 minutes)	10	A
Insulation resistance at DC 100V	>1000	MΩ
Electrode Capacitance at 1MHz	<1.5	pF
Arc Voltage at 1A	~25	V
Glow Voltage at 1mA	~70	V
Holdover Voltage at 100mA, <150mS	150	V
Weight	~1.5	g
Operation and storage Temperature	-40~+90	°C

### Applications

- u AC power line protection
- u Cable TV / Coaxial cable protection
- u Power supply
- u Consumer electronics

### Feature

- u Non-Radioactive
- u RoHS Compliant
- u LOW Capacitance
- u High insulation resistance
- u Fast response-time
- u Small size

### Marking, Black

#### UNION 600M-YY

600 -Nominal voltage  
M -10KA  
YY -Year of production

### Notes:

1. Terms in accordance with ITU-T K.12 and GB/T 9043-2008
2. At delivery AQL 0.65 level II, DIN ISO 2859
3. After life test:  
DC Spark-over Voltage at 100V/S : 600±30%  
Impulse Spark-over Voltage at 1KV/μs<1300V