

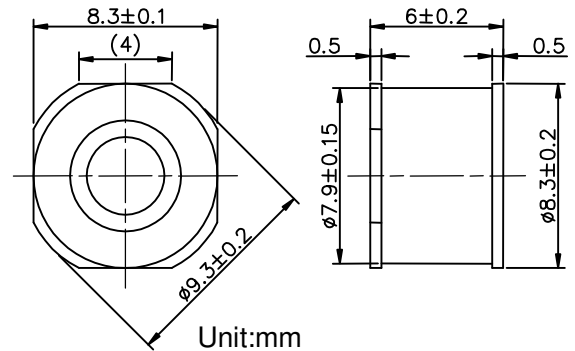
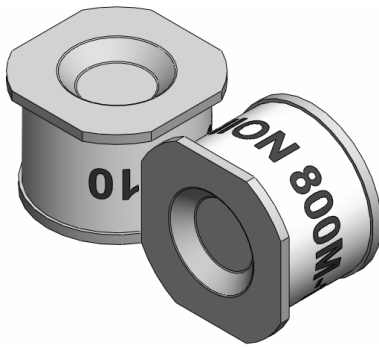
2-Electrode Gas Tube Arrester

UN2E8-800MSD

8.3×8.3×6

10KA

Dimension



Nickel-plated

Electrical Specifications			Applications
DC Spark-over Voltage at 100V/S	800±20%	V	u AC power line devices-Class II
Impulse Spark-over Voltage at 100V/μs at 1KV/μs	<1300	V	u Power supply
	<1400	V	u Consumer electronics
Life: Impulse Discharge current 8/20μs (±5 times) 10/1000μs (300 times) AC Discharge current (1S,5times interval 3 minutes)	10	KA	Feature u Non-Radioactive u RoHS Compliant u LOW Capacitance u High insulation resistance u Fast response-time u Small size
	100	A	
	10	A	
Insulation resistance at DC 100V	>1000	MΩ	
Electrode Capacitance at 1MHz	<1.5	pF	
Arc Voltage at 1A	~25	V	
Glow Voltage at 1mA	~70	V	
Holdover Voltage at 100mA, <150mS	150	V	
Weight	~1.5	g	
Operation and storage Temperature	-40~+90	°C	
Marking, Black	UNION 800M-YY 800 -Nominal voltage M -10KA YY -Year of production		

Notes:

- Terms in accordance with ITU-T K.12 and GB/T 9043-2008
- At delivery AQL 0.65 level II, DIN ISO 2859
- After life test:
DC Spark-over Voltage at 100V/S : 800±30%
Impulse Spark-over Voltage at 1KV/μs<1300V