

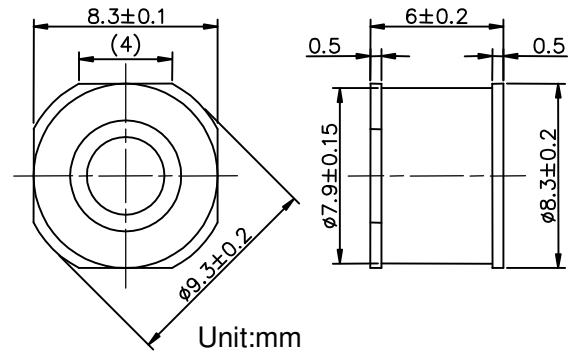
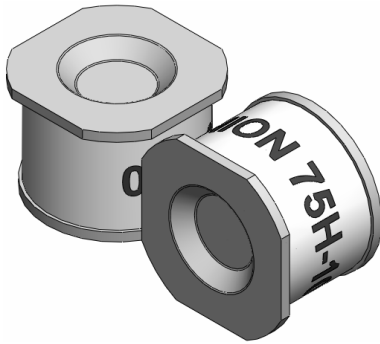
2-Electrode Gas Tube Arrester

UN2E8-75HSMD

8.3×8.3×6

20KA

Dimension



Tin-plated

Electrical Specifications			Applications	
DC Spark-over Voltage at 100V/S	75±20%	V	u Telephone / Fax / modem protection	
Impulse Spark-over Voltage			u Date/Single line protection	
	at 100V/μs	<450	V	u XDSL-splitter
at 1KV/μs	<600	V	u Cable TV / Coaxial cable protection	
Life:			u Tower mounted amplifier	
	Impulse Discharge current 8/20μs (±5 times)	20	KA	u Consumer electronics
	10/1000μs (300 times)	200	A	
AC Discharge current (1S,5times interval 3 minutes)	20	A		
Insulation resistance at DC 50V	>1000	MΩ		
Electrode Capacitance at 1MHz	<1.5	pF		
Arc Voltage at 1A	~25	V		
Glow Voltage at 1mA	~60	V		
Holdover Voltage at 100mA, <150mS	52	V		
Weight	~1.5	g		
Operation and storage Temperature	-40~+90	°C		
Marking, Black	UNION 75H-YY 75 -Nominal voltage H -20KA YY -Year of production			

Feature

- u Non-Radioactive
- u RoHS Compliant
- u LOW Capacitance
- u High insulation resistance
- u Fast response-time
- u Small size

Notes:

1. Terms in accordance with ITU-T K.12 and GB/T 9043-2008
2. At delivery AQL 0.65 level II, DIN ISO 2859
3. After life test:
 DC Spark-over Voltage at 100V/S : 75±30%
 Impulse Spark-over Voltage at 1KV/μs<700V