

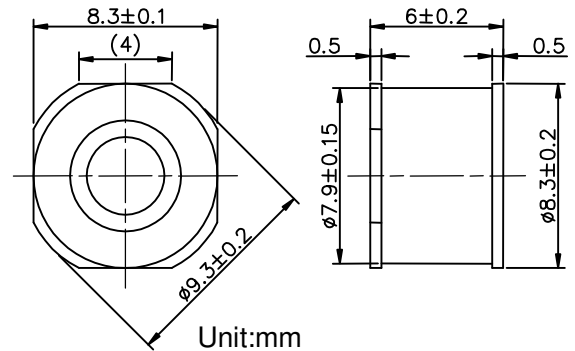
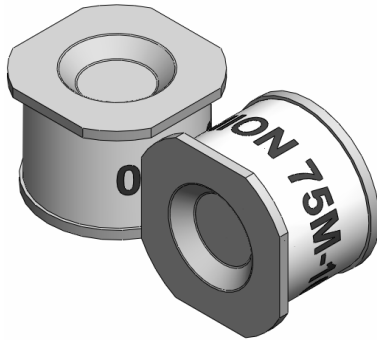
2-Electrode Gas Tube Arrester

UN2E8-75MSMD

8.3×8.3×6

10KA

Dimension



Tin-plated

Electrical Specifications			Applications
DC Spark-over Voltage at 100V/S	75±20%	V	u Telephone / Fax / modem protection
Impulse Spark-over Voltage at 100V/μs at 1KV/μs	<450	V	u Date/Single line protection
	<600	V	u XDSL-splitter
Life: Impulse Discharge current 8/20μs (±5 times) 10/1000μs (300 times) AC Discharge current (1S,5times interval 3 minutes)	10	KA	u Cable TV / Coaxial cable protection
	100	A	u Tower mounted amplifier
	10	A	u Consumer electronics
Insulation resistance at DC 50V	>1000	MΩ	Feature
Electrode Capacitance at 1MHz	<1.5	pF	u Non-Radioactive
Arc Voltage at 1A	~25	V	u RoHS Compliant
Glow Voltage at 1mA	~60	V	u LOW Capacitance
Holdover Voltage at 100mA, <150mS	52	V	u High insulation resistance
Weight	~1.5	g	u Fast response-time
Operation and storage Temperature	-40~+90	°C	u Small size
Marking, Black	UNION 75M-YY 75 -Nominal voltage M -10KA YY -Year of production		

Notes:

- Terms in accordance with ITU-T K.12 and GB/T 9043-2008
- At delivery AQL 0.65 level II, DIN ISO 2859
- After life test:
DC Spark-over Voltage at 100V/S : 75±30%
Impulse Spark-over Voltage at 1KV/μs<700V