

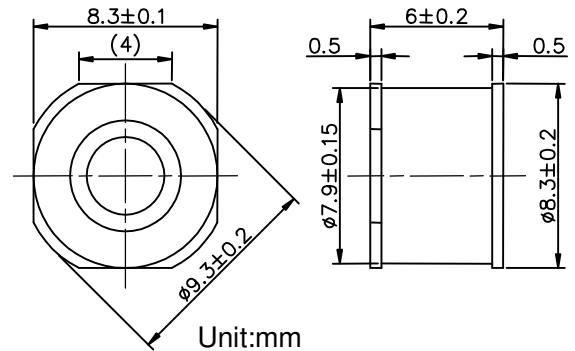
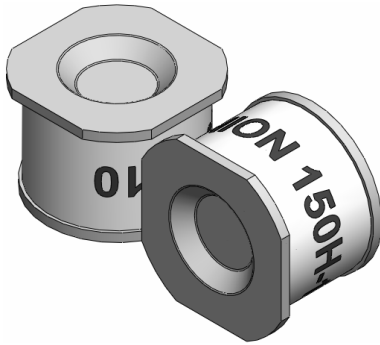
## 2-Electrode Gas Tube Arrester

UN2E8-150HSMD

8.3×8.3×6

20KA

### Dimension



Tin-plated

Electrical Specifications			Applications
DC Spark-over Voltage at 100V/S	150±20%	V	u Telephone / Fax / modem protection
Impulse Spark-over Voltage at 100V/μs at 1KV/μs	<500	V	u Date/Single line protection
	<600	V	u XDSL-splitter
Life: Impulse Discharge current 8/20μs (±5 times) 10/1000μs (300 times) AC Discharge current (1S,5times interval 3 minutes)	20	KA	u Cable TV / Coaxial cable protection
	200	A	u Antenna protection
	20	A	u Consumer electronics
Insulation resistance at DC 50V	>1000	MΩ	<b>Feature</b>
Electrode Capacitance at 1MHz	<1.5	pF	u Non-Radioactive
Arc Voltage at 1A	~25	V	u RoHS Compliant
Glow Voltage at 1mA	~70	V	u LOW Capacitance
Holdover Voltage at 100mA, <150mS	80	V	u High insulation resistance
Weight	~1.5	g	u Fast response-time
Operation and storage Temperature	-40~+90	°C	u Small size
Marking, Black	<b>UNION 150H-YY</b> 150 -Nominal voltage H -20KA YY -Year of production		

### Notes:

- Terms in accordance with ITU-T K.12 and GB/T 9043-2008
- At delivery AQL 0.65 level II, DIN ISO 2859
- After life test:  
DC Spark-over Voltage at 100V/S : 150±30%  
Impulse Spark-over Voltage at 1KV/μs<700V