

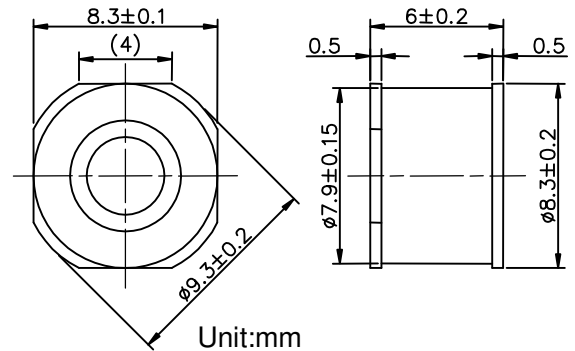
2-Electrode Gas Tube Arrester

UN2E8-350HSMD

8.3×8.3×6

20KA

Dimension



Nickel-plated

Electrical Specifications			Applications	
DC Spark-over Voltage at 100V/S	350±20%	V	<ul style="list-style-type: none"> u Branch exchange(MDF) u Date/Single line protection u Cable TV / Coaxial cable protection u Subscriber protection u Ararm system protecion u Consumer electronis 	
Impulse Spark-over Voltage at 100V/μs at 1KV/μs	<700	V		
	<800	V		
Life: Impulse Discharge current 8/20μs (±5 times) 10/1000μs (300 times) AC Discharge current (1S,5times interval 3 minutes)	20	KA		
	200	A		
	20	A		
Insulation resistance at DC 100V	>1000	MΩ		Feature <ul style="list-style-type: none"> u Non-Radioactive u RoHS Compliant u LOW Capacitance u High insulation resistance u Fast response-time u Small size
Electrode Capacitance at 1MHz	<1.5	pF		
Arc Voltage at 1A	~25	V		
Glow Voltage at 1mA	~70	V		
Holdover Voltage at 100mA, <150mS	150	V		
Weight	~1.5	g		
Operation and storage Temperature	-40~+90	°C		
Marking, Black	UNION 350H-YY 350 -Nominal voltage H -20KA YY -Year of production			

Notes:

1. Terms in accordance with ITU-T K.12 and GB/T 9043-2008
2. At delivery AQL 0.65 level II, DIN ISO 2859
3. After life test:
DC Spark-over Voltage at 100V/S : 350±30%
Impulse Spark-over Voltage at 1KV/μs<900V