

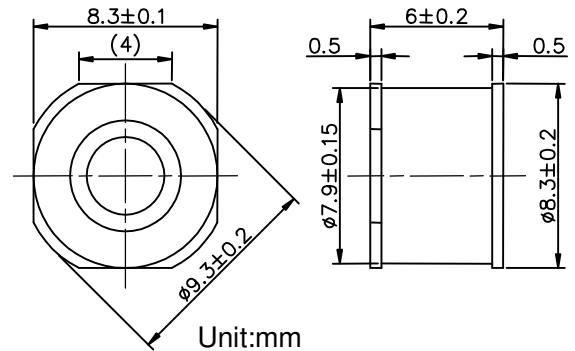
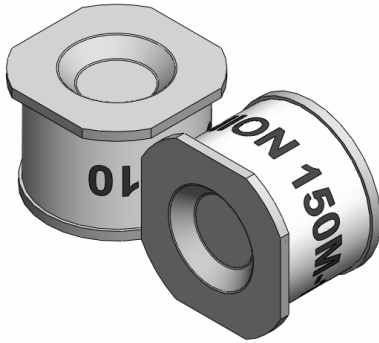
## 2-Electrode Gas Tube Arrester

UN2E8-150MSMD

8.3×8.3×6

10KA

### Dimension



Tin-plated

| Electrical Specifications                           |   |      | Applications                          |                        |
|---|---|------|---------------------------------------|------------------------|
| DC Spark-over Voltage at 100V/S                     | 150±20%   | V    | u Telephone / Fax / modem protection  |                        |
| Impulse Spark-over Voltage                          |   |      | u Date/Single line protection         |                        |
|   | at 100V/μs  | <500 | V                                     | u XDSL-splitter        |
| at 1KV/μs   | <600  | V    | u Cable TV / Coaxial cable protection |                        |
| Life:   |   |      | u Antenna protection                  |                        |
|   | Impulse Discharge current 8/20μs (±5 times)                                       | 10   | KA                                    | u Consumer electronics |
|   | 10/1000μs (300 times)   | 100  | A                                     |                        |
| AC Discharge current (1S,5times interval 3 minutes) | 10  | A    |                                       |                        |
| Insulation resistance at DC 50V                     | >1000   | MΩ   |                                       |                        |
| Electrode Capacitance at 1MHz                       | <1.5  | pF   |                                       |                        |
| Arc Voltage at 1A                                   | ~25   | V    |                                       |                        |
| Glow Voltage at 1mA                                 | ~70   | V    |                                       |                        |
| Holdover Voltage at 100mA, <150mS                   | 80  | V    |                                       |                        |
| Weight  | ~1.5  | g    |                                       |                        |
| Operation and storage Temperature                   | -40~+90   | °C   |                                       |                        |
| Marking, Black                                      | <b>UNION 150M-YY</b><br>150 -Nominal voltage<br>M -10KA<br>YY -Year of production |      |                                       |                        |

### Feature

- u Non-Radioactive
- u RoHS Compliant
- u LOW Capacitance
- u High insulation resistance
- u Fast response-time
- u Small size

### Notes:

1. Terms in accordance with ITU-T K.12 and GB/T 9043-2008
2. At delivery AQL 0.65 level II, DIN ISO 2859
3. After life test:  
 DC Spark-over Voltage at 100V/S : 150±30%  
 Impulse Spark-over Voltage at 1KV/μs<700V