

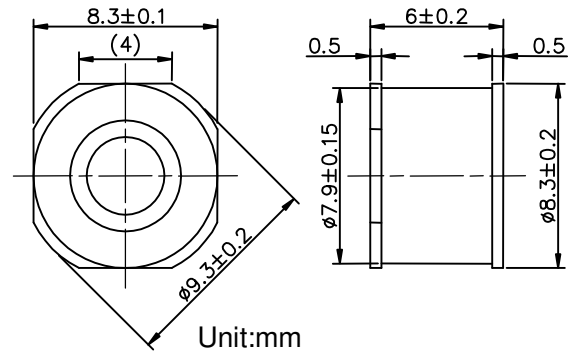
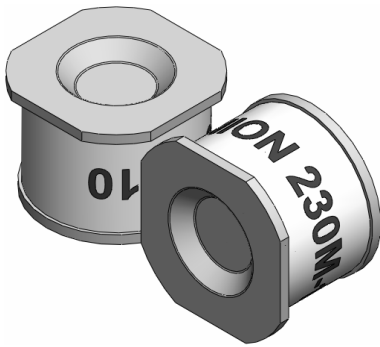
## 2-Electrode Gas Tube Arrester

UN2E8-230MSMD

8.3×8.3×6

10KA

### Dimension



Tin-plated

Electrical Specifications			Applications	
DC Spark-over Voltage at 100V/S	230±20%	V	<ul style="list-style-type: none"> <li>u Branch exchange(MDF)</li> <li>u Date/Single line protection</li> <li>u Cable TV / Coaxial cable protection</li> <li>u Subscriber protection</li> <li>u Ararm system protecion</li> <li>u Consumer electronis</li> </ul>	
Impulse Spark-over Voltage at 100V/μs at 1KV/μs	<600	V		
	<700	V		
Life: Impulse Discharge current 8/20μs (±5 times) 10/1000μs (300 times) AC Discharge current (1S,5times interval 3 minutes)	10	KA		
	100	A		
	10	A		
Insulation resistance at DC 100V	>1000	MΩ		<b>Feature</b> <ul style="list-style-type: none"> <li>u Non-Radioactive</li> <li>u RoHS Compliant</li> <li>u LOW Capacitance</li> <li>u High insulation resistance</li> <li>u Fast response-time</li> <li>u Small size</li> </ul>
Electrode Capacitance at 1MHz	<1.5	pF		
Arc Voltage at 1A	~25	V		
Glow Voltage at 1mA	~70	V		
Holdover Voltage at 100mA, <150mS	135	V		
Weight	~1.5	g		
Operation and storage Temperature	-40~+90	°C		
Marking, Black	<b>UNION 230M-YY</b>			
	230 -Nominal voltage			
	M -10KA			
	YY -Year of production			

### Notes:

1. Terms in accordance with ITU-T K.12 and GB/T 9043-2008
2. At delivery AQL 0.65 level II , DIN ISO 2859
3. After life test:  
DC Spark-over Voltage at 100V/S : 230±30%  
Impulse Spark-over Voltage at 1KV/μs<800V