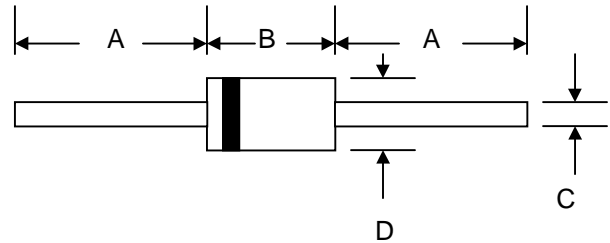


### Features

- Schottky Barrier Chip
- Guard Ring Die Construction for Transient Protection
- High Current Capability
- Low Power Loss, High Efficiency
- High Surge Current Capability
- For Use in Low Voltage, High Frequency Inverters, Free Wheeling, and Polarity Protection Applications



### Mechanical Data

- Case: DO-15, Molded Plastic
- Terminals: Plated Leads Solderable per MIL-STD-202, Method 208
- Polarity: Cathode Band
- Weight: 0.40 grams (approx.)
- Mounting Position: Any
- Marking: Type Number
- **Lead Free: For RoHS / Lead Free Version, Add "-LF" Suffix to Part Number, See Page 4**

DO-15		
Dim	Min	Max
A	25.4	—
B	5.50	7.62
C	0.71	0.864
D	2.60	3.60
All Dimensions in mm		

### Maximum Ratings and Electrical Characteristics @ $T_A=25^\circ\text{C}$ unless otherwise specified

Single Phase, half wave, 60Hz, resistive or inductive load.  
For capacitive load, derate current by 20%.

Characteristic	Symbol	SB220	SB230	SB240	SB250	SB260	SB280	SB2100	Unit
Peak Repetitive Reverse Voltage	$V_{RRM}$								V
Working Peak Reverse Voltage	$V_{RWM}$	20	30	40	50	60	80	100	
DC Blocking Voltage	$V_R$								
RMS Reverse Voltage	$V_{R(RMS)}$	14	21	28	35	42	56	70	V
Average Rectified Output Current @ $T_L = 100^\circ\text{C}$ (Note 1)	$I_O$	2.0							A
Non-Repetitive Peak Forward Surge Current 8.3ms Single half sine-wave superimposed on rated load (JEDEC Method)	$I_{FSM}$	50							A
Forward Voltage @ $I_F = 2.0\text{A}$	$V_{FM}$	0.50		0.70		0.85		V	
Peak Reverse Current @ $T_A = 25^\circ\text{C}$ At Rated DC Blocking Voltage @ $T_A = 100^\circ\text{C}$	$I_{RM}$	0.5 10							mA
Typical Junction Capacitance (Note 2)	$C_j$	170			140			pF	
Typical Thermal Resistance (Note 1)	$R_{\theta JA}$	35							$^\circ\text{C/W}$
Operating and Storage Temperature Range	$T_j, T_{STG}$	-65 to +150							$^\circ\text{C}$

Note: 1. Valid provided that leads are kept at ambient temperature at a distance of 9.5mm from the case.  
2. Measured at 1.0 MHz and applied reverse voltage of 4.0V D.C.

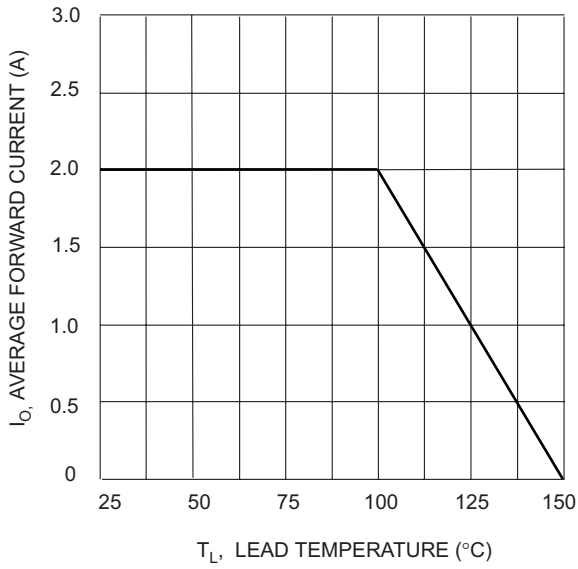


Fig. 1 Forward Current Derating Curve

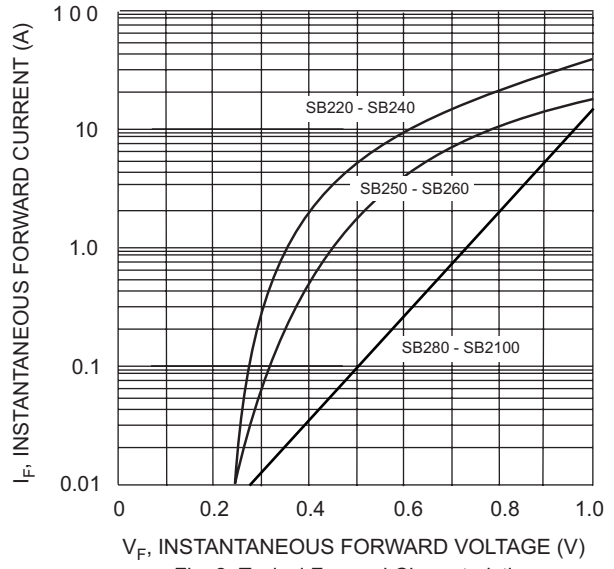


Fig. 2 Typical Forward Characteristics

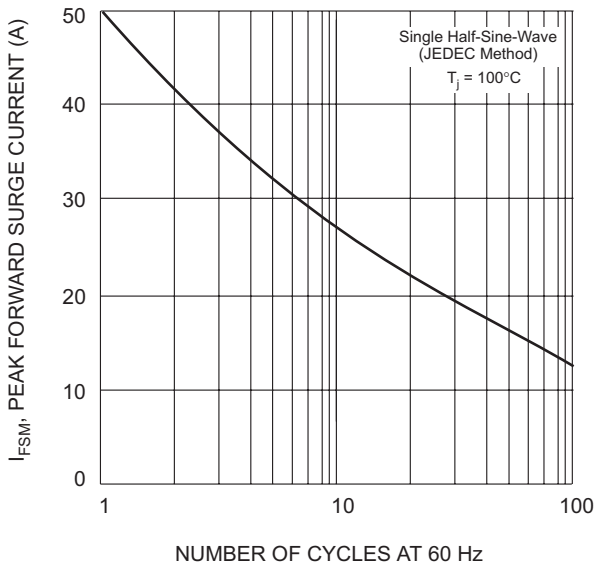


Fig. 3 Max Non-Repetitive Peak Fwd Surge Current

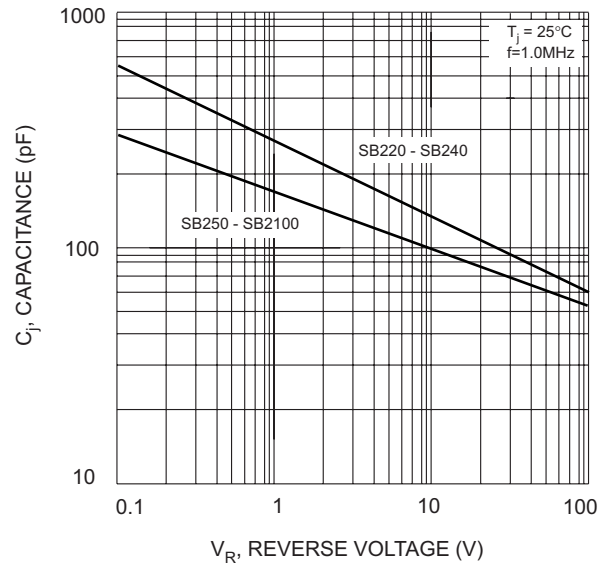


Fig. 4 Typical Junction Capacitance

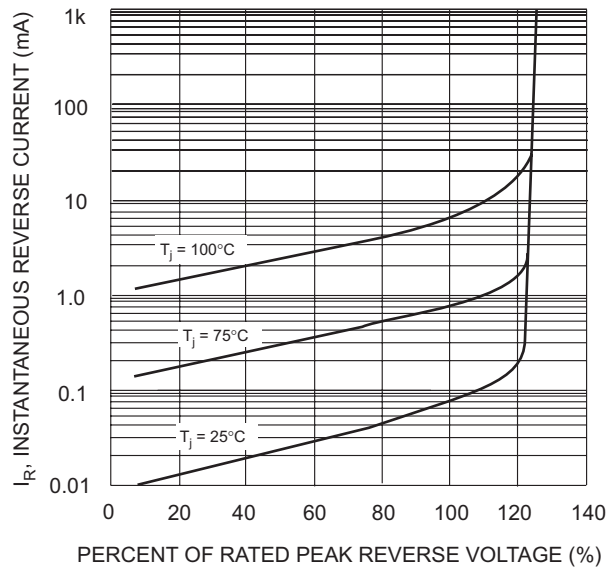
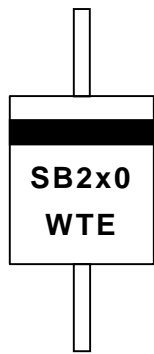


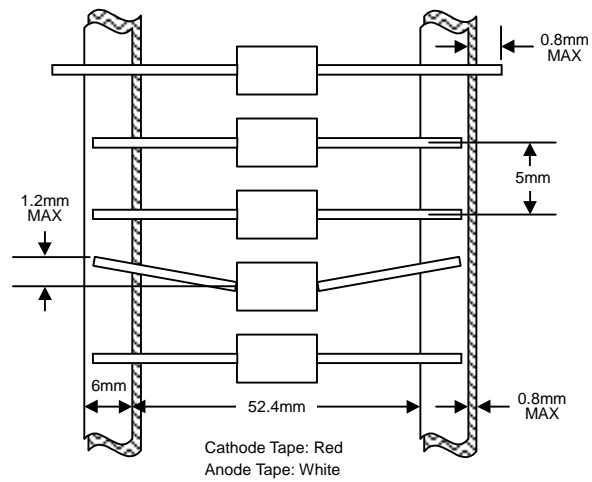
Fig. 5 Typical Reverse Characteristics

## MARKING INFORMATION

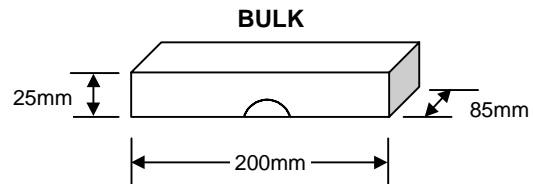
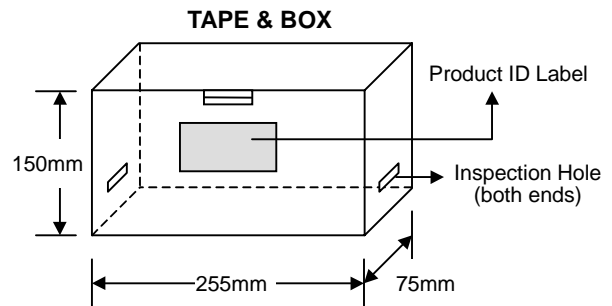
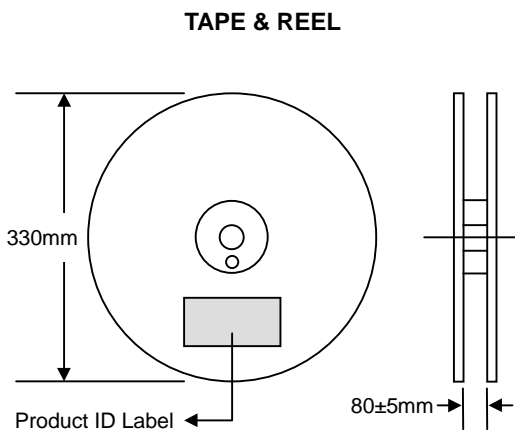


Cathode = Polarity Band  
 SB2x0 = Device Number  
 x = 2, 3, 4, 5, 6, 8 or 10  
 WTE = Manufacturer's Logo

## TAPING SPECIFICATIONS



## PACKAGING INFORMATION



Packaging	Reel Diameter / Box Size (mm)	Quantity (PCS)	Carton Size (mm)	Quantity (PCS)	Approx. Gross Weight (KG)
<b>TAPE &amp; REEL</b>	330	4,000	370 x 370 x 420	20,000	12.0
<b>TAPE &amp; BOX</b>	255 x 75 x 150	3,000	400 x 273 x 415	30,000	15.0
<b>BULK</b>	200 x 85 x 25	1,000	459 x 214 x 256	40,000	17.5

**Note:** 1. Paper reel, white or gray color. Core material: plastic or metal.  
 2. Components are packed in accordance with EIA standard RS-296-E.

## ORDERING INFORMATION

Product No.	Package Type	Shipping Quantity
SB220-T3	DO-15	4000/Tape & Reel
<b>SB220-TB</b>	DO-15	3000/Tape & Box
SB220	DO-15	1000 Units/Box
SB230-T3	DO-15	4000/Tape & Reel
<b>SB230-TB</b>	DO-15	3000/Tape & Box
SB230	DO-15	1000 Units/Box
SB240-T3	DO-15	4000/Tape & Reel
<b>SB240-TB</b>	DO-15	3000/Tape & Box
SB240	DO-15	1000 Units/Box
SB250-T3	DO-15	4000/Tape & Reel
<b>SB250-TB</b>	DO-15	3000/Tape & Box
SB250	DO-15	1000 Units/Box
SB260-T3	DO-15	4000/Tape & Reel
<b>SB260-TB</b>	DO-15	3000/Tape & Box
SB260	DO-15	1000 Units/Box
SB280-T3	DO-15	4000/Tape & Reel
<b>SB280-TB</b>	DO-15	3000/Tape & Box
SB280	DO-15	1000 Units/Box
SB2100-T3	DO-15	4000/Tape & Reel
<b>SB2100-TB</b>	DO-15	3000/Tape & Box
SB2100	DO-15	1000 Units/Box

1. Products listed in **bold** are WTE **Preferred** devices.
2. Shipping quantity given is for minimum packing quantity only. For minimum order quantity, please consult the Sales Department.
3. **To order RoHS / Lead Free version (with Lead Free finish), add "-LF" suffix to part number above. For example, SB220-TB-LF.**

Won-Top Electronics Co., Ltd (WTE) has checked all information carefully and believes it to be correct and accurate. However, WTE cannot assume any responsibility for inaccuracies. Furthermore, this information does not give the purchaser of semiconductor devices any license under patent rights to manufacturer. WTE reserves the right to change any or all information herein without further notice.

**WARNING: DO NOT USE IN LIFE SUPPORT EQUIPMENT.** WTE power semiconductor products are not authorized for use as critical components in life support devices or systems without the express written approval.

**Won-Top Electronics Co., Ltd.**

No. 44 Yu Kang North 3rd Road, Chine Chen Dist., Kaohsiung, Taiwan

**Phone:** 886-7-822-5408 or 886-7-822-5410

**Fax:** 886-7-822-5417

**Email:** sales@wontop.com

**Internet:** http://www.wontop.com

*We power your everyday.*