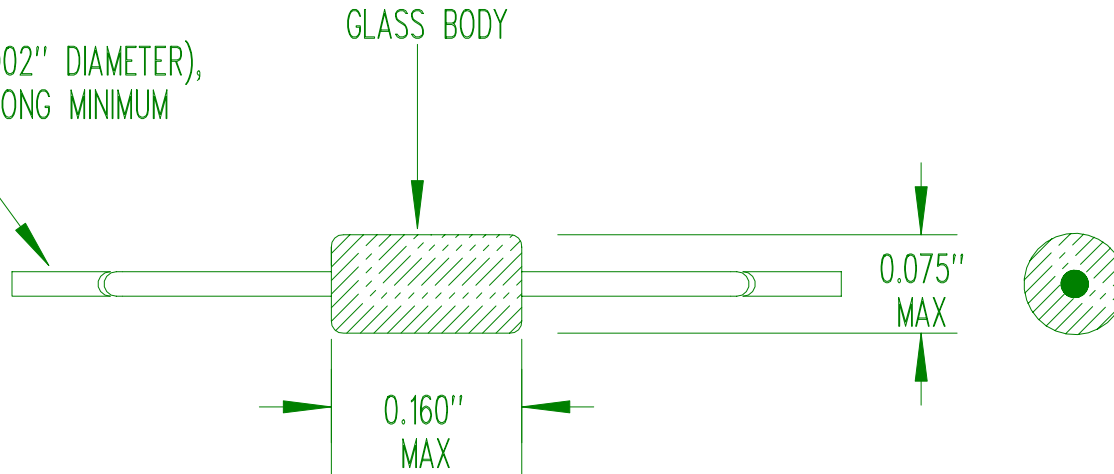


24 AWG (0.020" ± 0.002" DIAMETER),
TINNED CCS, 1.00" LONG MINIMUM



RESISTANCE @ +77°F (+25°C) = 10,000 Ω NOMINAL
 ACCURACY @ +280°F (+137.8°C) = ± 20°F (± 11.1°C)
 RESISTANCE TEMPERATURE CURVE = "J"
 TEMPERATURE COEFFICIENT @ +77°F (+25°C) = -4.4%/°C NOMINAL
 BETA "β" (+32 TO +122°F) (0 TO +50°C) = 3,892°K NOMINAL
 DISSIPATION CONSTANT = 2 mW/°C NOMINAL (STILL AIR)
 THERMAL TIME CONSTANT = 5 SECONDS NOMINAL (STILL AIR)
 THERMAL TIME CONSTANT = 0.5 SECONDS NOMINAL (STIRRED OIL)
 MAXIMUM TEMPERATURE RATING = +572°F (+300°C)

NONE	RELEASE TO PRODUCTION	01/13/06	DD
REV	REVISION RECORD	DATE	APP

SCALE	NONE	U.S. SENSOR CORP. 1832 W. COLLINS AVE. ORANGE, CA . 92867 714-639-1000 www.ussensor.com
DRAWN BY	DAN DANKERT	
DATE	01/13/06	
REV	NONE	
LAYER	0 OF 1	NTC THERMISTOR P/N USX2569