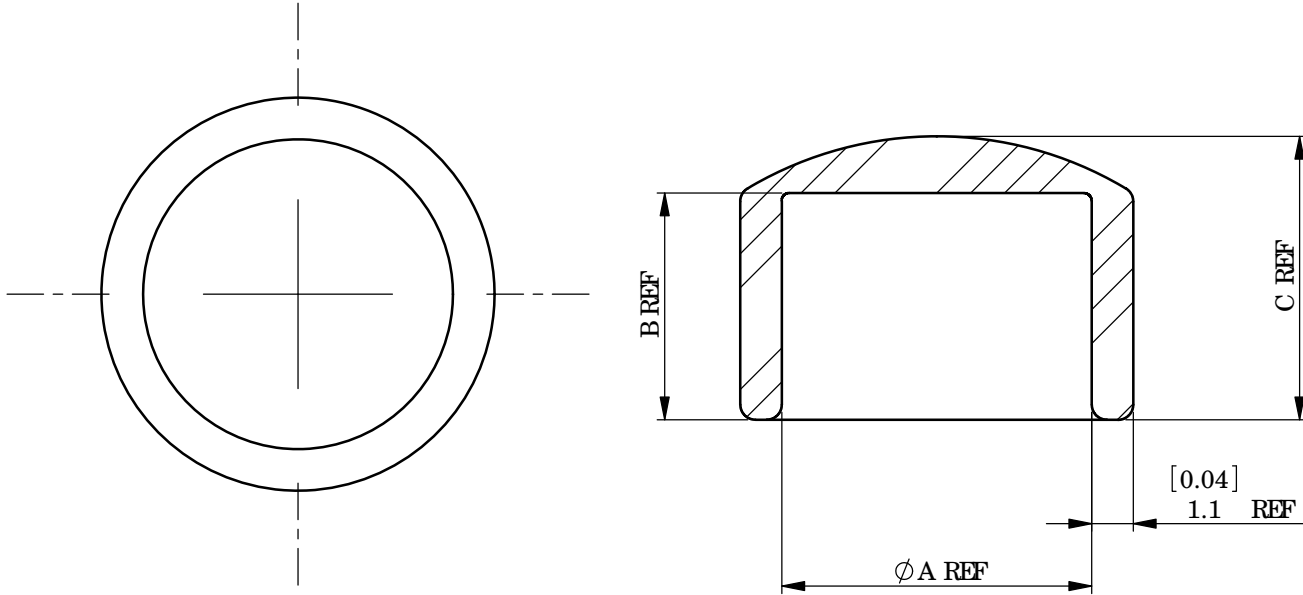


A B C D E F

REV.	MODIFICATION.	DATE	DRN
01	Production Release	11/07/08	PH
02	CO2010657	20/05/09	SF
03	CO2011146	18/05/11	SF
04	CO2011187	17/08/11	SF



ALTERNATE UNITS FOR REFERENCE ONLY

INFORMATION CONTAINED IN THIS DOCUMENT IS CONFIDENTIAL TO RICHCO INTERNATIONAL Co. Ltd. AND MAY NOT BE DISCLOSED OR REPRODUCED IN WHOLE OR PART WITHOUT THEIR WRITTEN CONSENT

<b>RICHCO, INC.</b> WWW.RICHCO-INC.COM	ALL DIMENSIONS IN mm GENERAL TOLERANCES ±0.25 UNLESS OTHERWISE STATED 1 DECIMAL PLACE ±0.25 2 DECIMAL PLACES ±0.10 ANGULAR ±1°	THIRD ANGLE 
	MATERIAL: Silicone Rubber Shore A 55 ± 5 (RMS-368)	

PART	COLOUR	RECOMMENDED		DIA 'A'	LENGTH 'B'	LENGTH 'C'
		METRIC SCREW SIZE	IMPERIAL SCREW SIZE			
SC1 - M4	BLACK	M4	# 8	6.7 [0.264]	5 [0.197]	6.5 [0.256]
SC1 - M5		M5	1/4"	8.2 [0.323]	6 [0.236]	7.5 [0.295]
SC1 - M6		M6	5/16"	9.7 [0.382]	7 [0.276]	8.5 [0.335]
OTHER COLOURS AVAILABLE BY SPECIAL ORDER						

DESCRIPTION: Hexagon Socket Button Head Screw Cover		COLOUR: SEE TABLE	
DRG No: <b>08-062</b>	NPR No: <b>II08-0003</b>	Mass:(g) <b>0.3</b>	SHEET SIZE <b>A4</b>
DRN <b>PH</b>	DATE <b>20/12/07</b>	CHKD <b>JC</b>	DATE <b>15/05/08</b>
SCALE <b>NTS</b>		SHEET No. <b>1 OF 1</b>	

A B C D E F FORM No. 0145/02