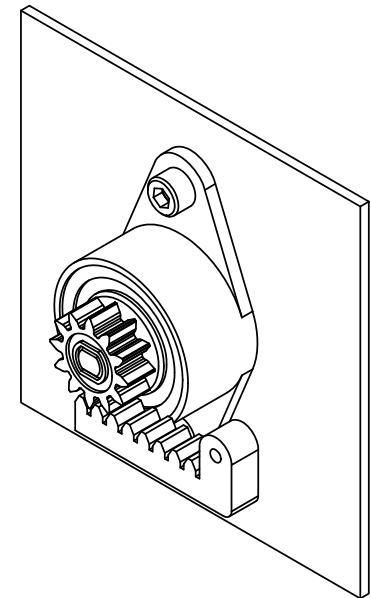
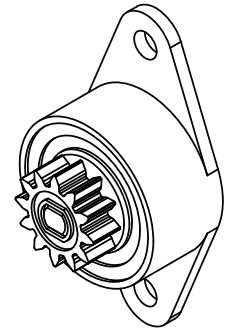
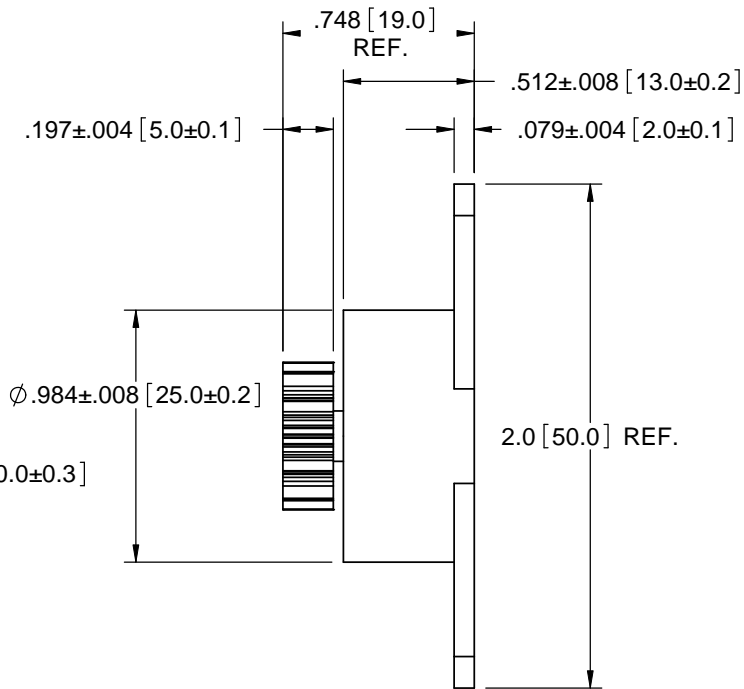
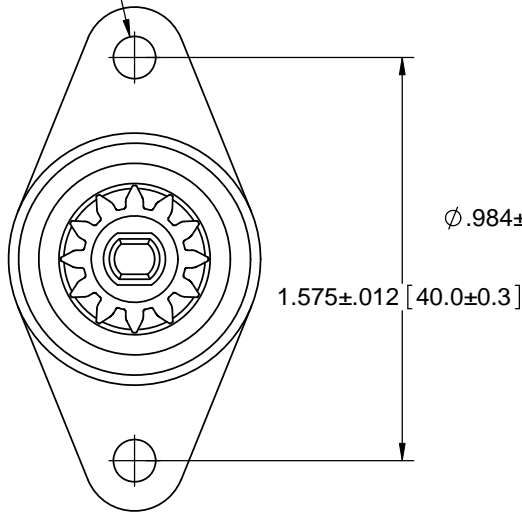


GEAR SPECIFICATIONS	
GEAR TYPE	SPUR
TOOTH STYLE	INVOLUTE
PRESSURE ANGLE	20°
NUMBER OF TEETH	12
PITCH CIRCLE DIAMETER	Ø.47 [Ø12]

Ø.165±.004 [4.2±0.1] TYP.



NOTES:

1. HOUSING MATERIAL: POLYCARBONATE (RMS-161).
2. COLOR: BLACK.
3. GEAR AND SHAFT MATERIAL: ACETAL (RMS-160).
4. GEAR COLOR: BLUE.
5. COMPONENTS (INSIDE HOUSING):
 - A) SILICONE OIL (RMS-209)
 - B) O-RING: SILICONE RUBBER (RMS-210)

PART NUMBER	TORQUE (gf.cm)
RFRT-D2-102-G2	1000±200
RFRT-D2-152-G2	1500±300

TITLE: TWO WAY ROTARY DAMPER				DWG IN IN [MM]		FINAL	
CREATED USING SOLIDWORKS		FILE #: RFRT-D2	DWN: R.D.G.	APP: R.D.G.		PART #	
TOLERANCES UNLESS NOTED .X=±.25 .XX=±.13 ANG.=±1°		SHEET: 1 OF 1	SHEET SIZE: A	DT: 10/15/04	CHKD: S.J.	PRINT TYPE	
RE: RICHCO, INC.		RICHCO, INC. ENG@RICHCO-INC.COM (773) 539-4060		SEE TABLE		CA	

REV.	DESCRIPTION	ENGR.	DATE
C	SEE CO 200131 FOR CHANGES	SK	02/20/08
B	SEE ECN #1289 FOR CHANGES	SK	02/15/07
A	RELEASED FOR PRODUCTION	SM	10/21/04