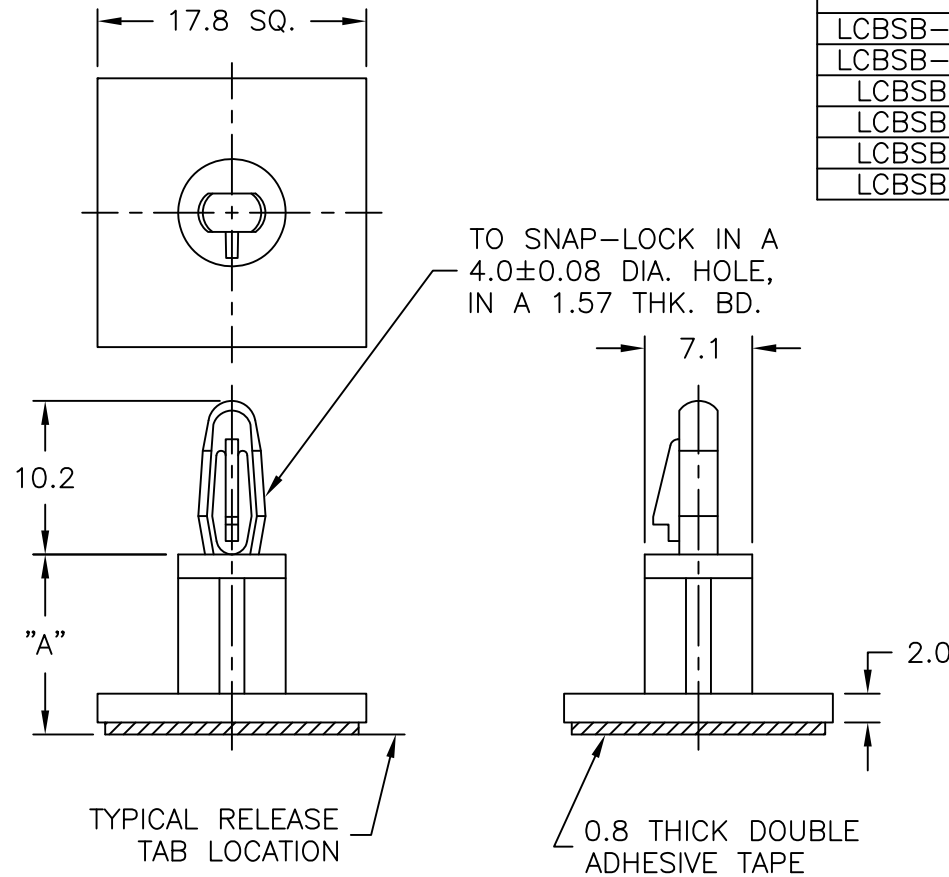


PART NO.	DIM "A" ±0.4
LCBSB-6M-01A-RT	6.0
LCBSB-8M-01A-RT	8.0
LCBSB-10M-01A	10.0
LCBSB-12M-01A	12.0
LCBSB-14M-01A	14.0
LCBSB-16M-01A	16.0



NOTES:

1. MATERIAL: NYLON 6/6 (RMS-01).
FLAME RETARDANT, NYLON (RMS-19),
AVAILABLE BY SPECIAL ORDER ONLY.
2. COLOR: NATURAL.
BLUE AVAILABLE BY SPECIAL ORDER ONLY.
3. PART ALSO AVAILABLE WITHOUT ADHESIVE.
TO ORDER REMOVE "A"/"A-RT" FROM P/N.
FOR NEW "A" DIM. SUBTRACT 0.8
4. ACRYLIC ADHESIVE TAPE (RMS-15),
WHITE LINER.

TITLE: LOCKING CKT. BD. SUPPORT ON BASE (METRIC)		DWG IN MM		FINAL	
TOLERANCES UNLESS NOTED .X=±0.25 .XX=±0.13 ANG=±1°	FILE # LCBSB-M	DWN: P.B.	APP:	PART #	
	MAT'L: SEE NOTES	DT: 01-04-95	DT:	SEE TABLE	
	RE: RICHCO, INC.	RICHCO INC. PO BOX 804238, CHICAGO, 60680 (773) 539-4060		PRINT TYPE CA	
REV	DESCRIPTION	ENGR	DATE		

D	SEE CO 200773 FOR CHANGES	SK 04.30.12
C	SEE CO 200290 FOR CHANGES	SK 12.04.08
B	UPDATED NOTES AND CHANGED FILE NO.	SM 07.31.02
A	GIVEN NEW FILE NUMBER	JB 09.05.95
REV	DESCRIPTION	ENGR DATE