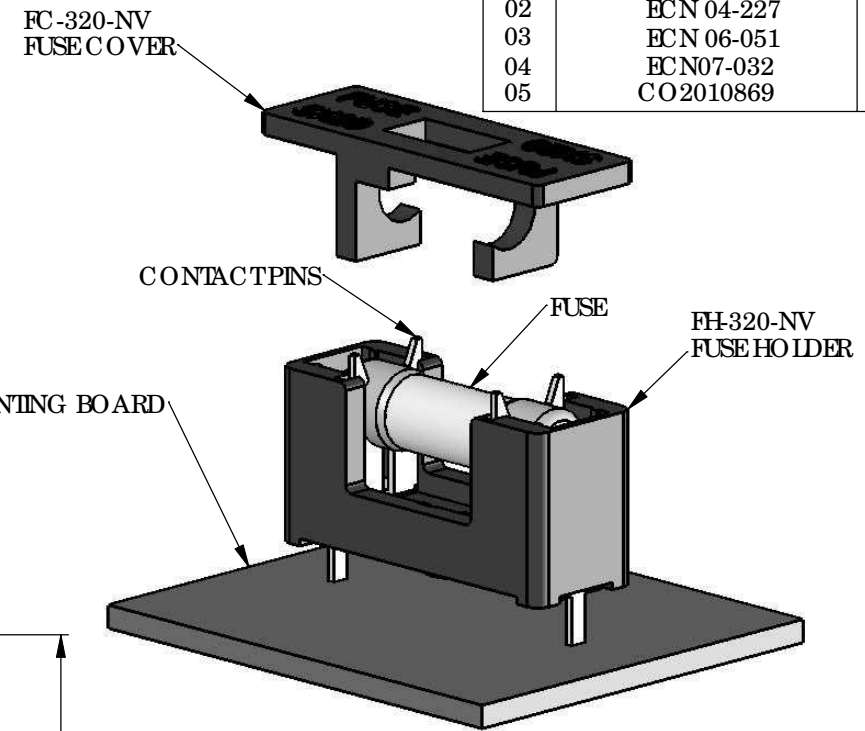
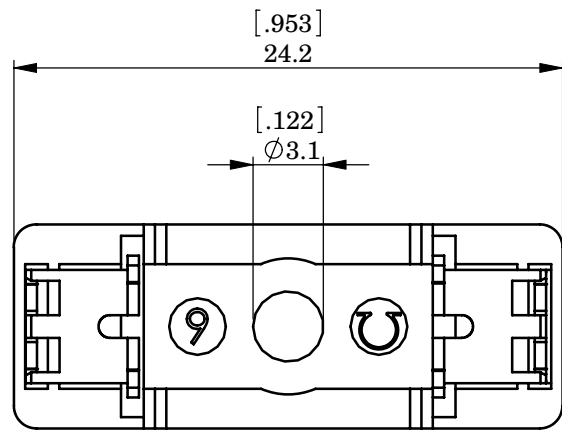


REV.	MODIFICATION.	DATE	DRN
01	NEW DRAWING	17/11/04	NJB
02	ECN 04-227	10/12/04	NJB
03	ECN 06-051	20/03/06	OW
04	ECN07-032	08/02/07	SF
05	CO2010869	07/01/10	MT



TYPICAL APPLICATION VIEW

ALTERNATE UNITS FOR REFERENCE ONLY

INFORMATION CONTAINED IN THIS DOCUMENT IS CONFIDENTIAL TO RICHCO INTERNATIONAL Co. Ltd. AND MAY NOT BE DISCLOSED OR REPRODUCED IN WHOLE OR PART WITHOUT THEIR WRITTEN CONSENT

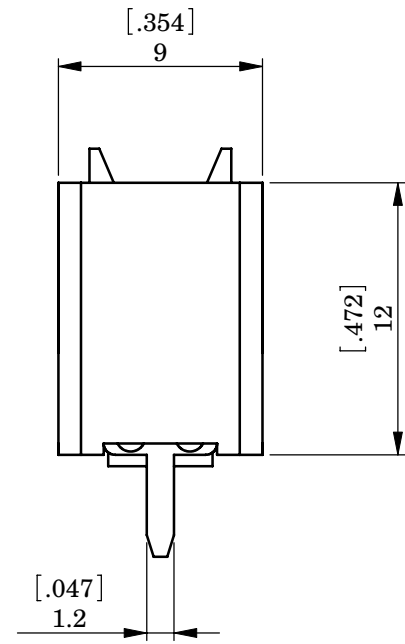
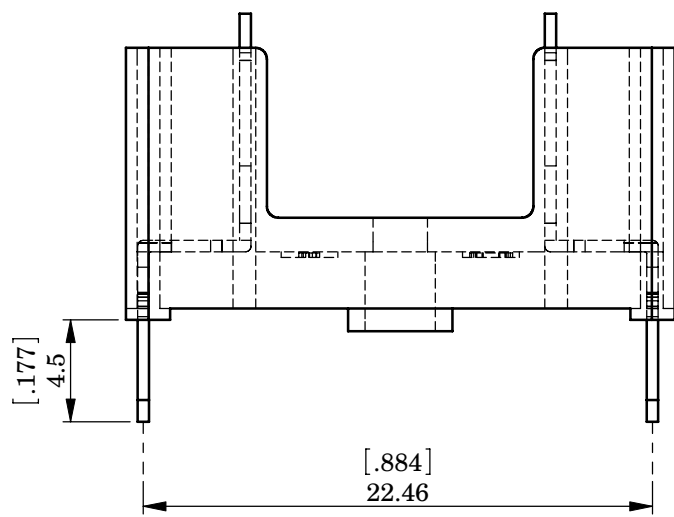
<b>RICHCO, INC.</b> WWW.RICHCO-INC.COM	ALL DIMENSIONS IN mm GENERAL TOLERANCES ±0.25 UNLESS OTHERWISE STATED 1 DECIMAL PLACE ± 2 DECIMAL PLACES ± ANGULAR ±1°	THIRD ANGLE 

MATERIAL: <b>SEE TABLE</b>	COLOUR: <b>SEE TABLE</b>
-------------------------------	-----------------------------

DESCRIPTION: <b>FUSE HOLDER, BOARD MOUNTED</b>	PART No: <b>FH-320-NV</b>
---	------------------------------

DRG No: <b>04-165</b>	NPR No:	SHEET SIZE <b>A4</b>
--------------------------	---------	-------------------------

DRN <b>NJB</b>	DATE <b>17/11/04</b>	CHKD <b>OW</b>	DATE <b>17/11/04</b>	SCALE <b>NTS</b>	SHEET No. <b>1 OF 1</b>
-------------------	-------------------------	-------------------	-------------------------	---------------------	----------------------------



NOTES:  
 NOMINAL CURRENT: 6.3A  
 NOMINAL VOLTAGE: 250V  
 ELECTRICAL VALIDATION: IEC EN 60127-6

PART	MATERIAL	COLOUR
FH-320-NV	NYLON 6/6 25% GF (RMS-49)	BLACK
CONTACT PINS	BRASS (CuZn 33) (RMS-289) + FLASH NICKEL & 4/5 MICRONS TIN 60/40 (RMS-217)	