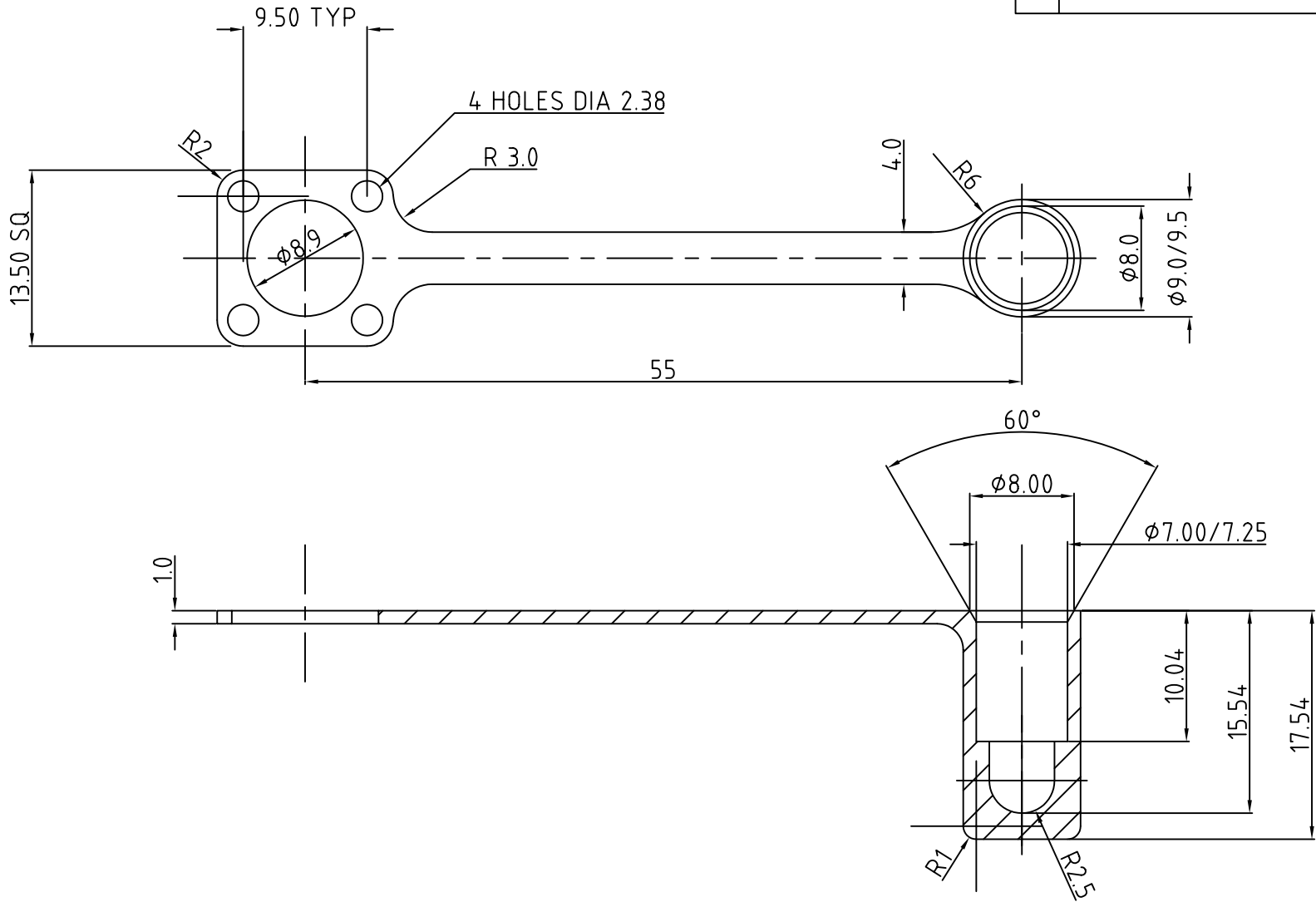


3rd ANG PROJECTION

REV	DESCRIPTION	DATE	APPROVED
1	INITIAL ISSUE	220897	
2	MATERIAL SPEC ADDED	101097	CN00173



NOTES:

MATERIAL	BLACK EVOPRENE 091	THIS DOCUMENT CONTAINS PROPRIETARY INFORMATION WHICH SHALL NOT BE REPRODUCED, TRANSFERRED TO OTHER DOCUMENTS, DISCLOSED TO OTHERS USED FOR MANUFACTURING OR ANY OTHER PURPOSE WITHOUT THE WRITTEN AUTHORISATION OF EUROPLUS FIBRE OPTICS LTD.
FINISH	FLASH FREE	
ICE No:	2394	

DESCRIPTION	FLEXIBLE DUSTCAP FOR NOYES ST POWER METER
-------------	---

ALL DIMS IN MM UNLESS STATED		GEN TOLS 0 = +/-0.5 0.0 = +/-0.3 0.00 = +/-0.1	EUROPLUS FIBRE OPTICS Unit 2, Deben Way, Melton, Woodbridge, Suffolk IP12 1RB Tel: (01394) 386811 Fax: (01394) 380572				
DRAWN	CDD	DATE	220897	SIZE	FILE NAME	DWG. No	REV.
CHKD		DATE			0235001	EFA02 35 001	2
DO NOT SCALE DRAWING		SCALE	3:1			SHEET	1 of 1