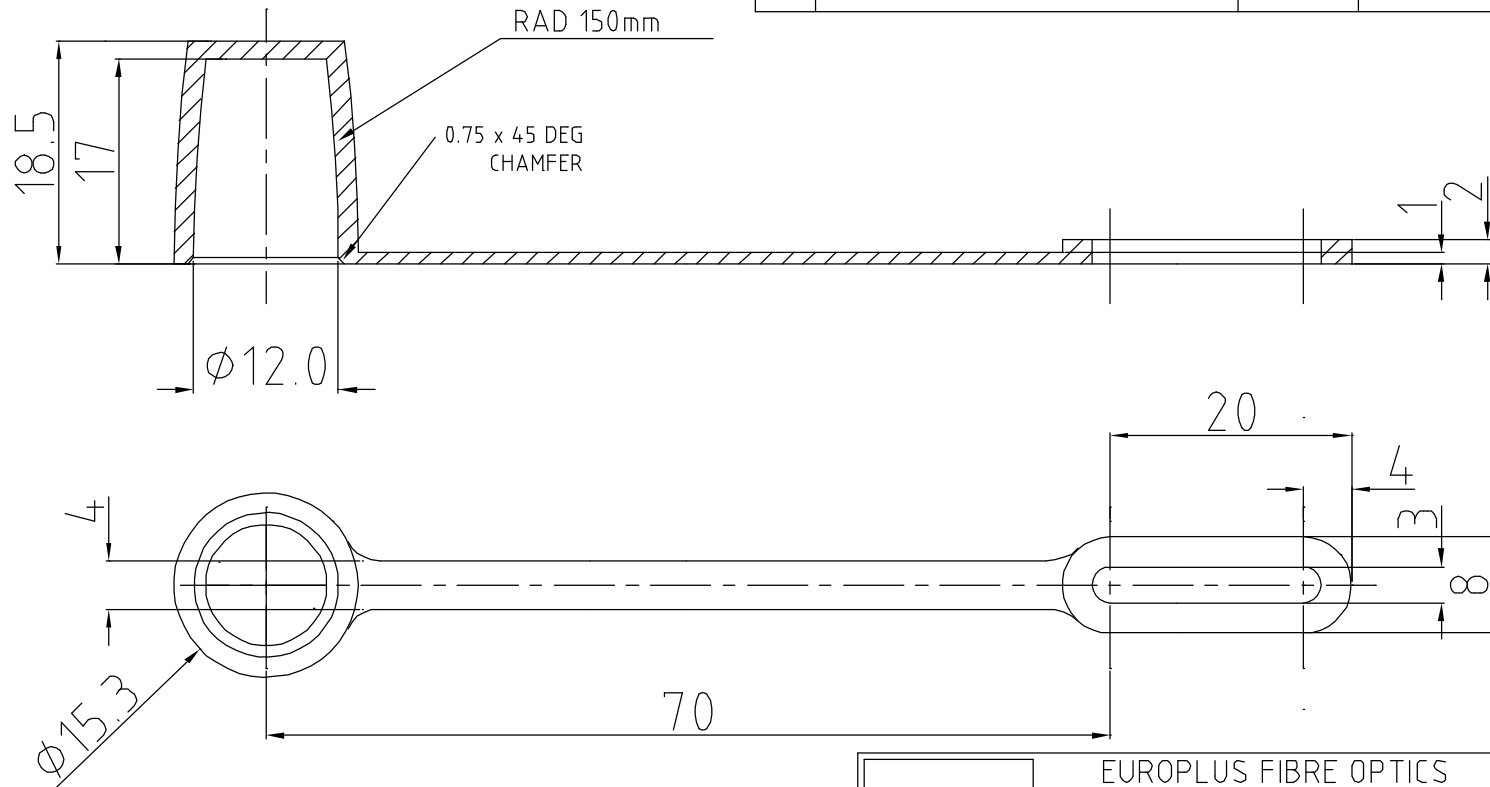


ALL DIMS IN MM UNLESS STATED

REV	DESCRIPTION	DATE	APPROVED
1	INITIAL ISSUE	010394	CDD
2	DRAWING NO. CHANGE - ASS TO 002	3/04/02	CN23
3	DRAWING NO. CHANGE - 002 TO ASS	17/05/02	CN32



NOTES:

GEN TOLS	
0	= +/- 0.5
0.0	= +/- 0.3
0.00	= +/- 0.1

EUROPLUS FIBRE OPTICS
Unit 2, Deben Way, Melton, Woodbridge, Suffolk IP12 1RB
Tel: (01394) 386811 Fax: (01394) 380572

DESCRIPTION
ONE PIECE ST CONNECTOR DUST CAP & TIE

MATERIAL	BLACK PVC	THIS DOCUMENT CONTAINS PROPRIETARY INFORMATION WHICH SHALL NOT BE REPRODUCED, TRANSFERRED TO OTHER DOCUMENTS, DISCLOSED TO OTHERS USED FOR MANUFACTURING OR ANY OTHER PURPOSE WITHOUT THE WRITTEN AUTHORIZATION OF EUROPLUS FIBRE OPTICS Ltd.	DRAWN	CDD	DATE	220801	SIZE	FILE NAME	DWG. No	REV.
FINISH	COLOUR AS REQ'D		CHKD	CDD	DATE	220801		0213ass	EFA02 13 ASS	3
ICE No:			DO NOT SCALE DRAWING		SCALE	2:1			SHEET	1 of 1