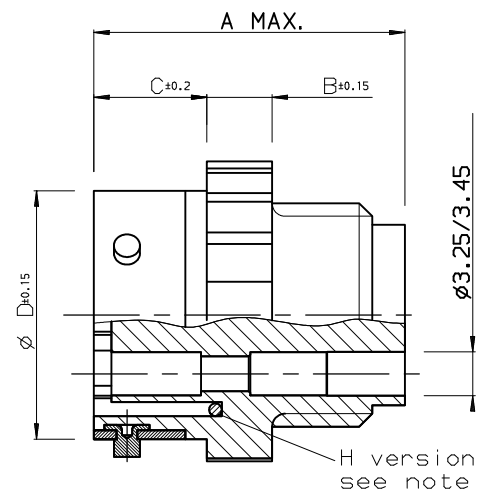
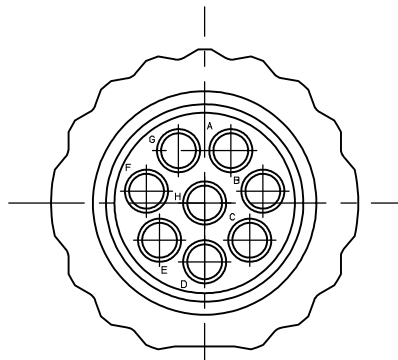


DIT IS ONZE EIGENDOM EN MAG NOCH NAGEMAAKT, HERDRUKT, OVERGEMAAKT AAN DERDEN, NOCH VOOR FABRIKATIE GEBRUIKT WORDEN, ZONDER ONZE SCHRIFTELIJKE TOELATING. BIJ NIET GEBRUIK IS DE TERUGZENDING VERPLICHT.

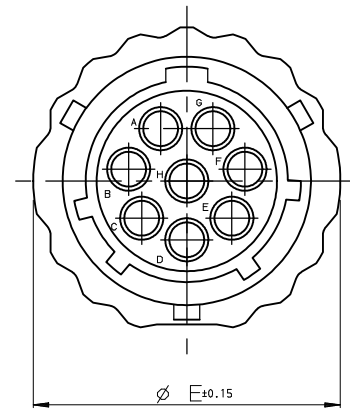
THIS IS OUR EXCLUSIVE PROPERTY. IT IS NOT TO BE COPIED, REPRINTED OR DISCLOSED TO A THIRD PARTY, NOR USED FOR MANUFACTURING WITHOUT OUR WRITTEN CONSENT, AND HAS TO BE RETURNED TO US IN CASE OF NO USAGE

REV.	DATE	DESCRIPTION	BY	C'K'D'
03	10/03/99	Temperature range -55C instead of -25C	K.N.	
04	09/11/05	ADD SIZE 10-3 - ADD 3D VIEW	R Ch	
05	21/01/10	ADD O'SEAL ON THE SECTION VIEW	R Ch	
A	30/10/13	DELETE PART NUMBER UTG11035 (H) VDE	R Ch	

WIRING FACE



MATING FACE



CAT. NUMBER	A MAX.	B±0.15	C±0.2	Ø D±0.15	Ø E±0.15
UTG1104S (H)	24.3	5.0	8.65	15.0	19.5
UTG1125S (H)	24.3	5.0	8.65	19.0	23.5
UTG1128S (H)	24.3	5.0	8.65	19.0	23.5
UTG11412S (H)	24.3	5.0	8.65	22.2	27.0
UTG11619S (H)	24.3	5.0	8.65	25.3	30.0
UTG11823S (H)	24.3	5.0	8.65	28.5	36.5
UTG12028S (H)	27.0	5.0	12.05	31.7	36.5
UTG12235S (H)	28.0	5.0	12.05	34.9	39.7
UTG12448S (H)	30.4	5.0	13.85	38.0	42.5
* NOTE 4					

MATERIAL UTG1128S AS SHOWN

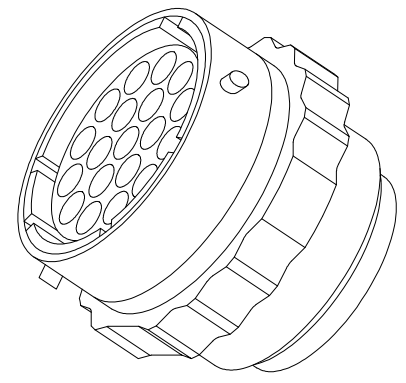
- BODY : GLASS-FILLED POLYESTER UL94-V0
COLOUR : BLACK.
- TRILOK RING : HIGH STRENGTH CuZn ALLOY,
NICKEL PLATED.

PERFORMANCE CHARACTERISTICS

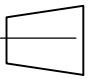
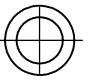
- OPERATING TEMPERATURE : -55°C to +125°C
- INSULATION RESISTANCE : 5000 M Ohm MIN.
- TEST POTENTIAL : 2000 V EFF.

NOTES

- CONNECTOR ACCEPTS # 16 STRIP FORMED SOCKET, MACHINED SOCKET AND SUBMINIATURE COAXIAL PIN AND SOCKET CONTACTS.
- CONTACTS TO BE ORDERED SEPARATELY ; REFER TO TRIM - TRIO CATALOG.
- FOR OTHER INSERT ARRANGEMENTS SEE BS,C ,201458,000
- FOR WATERPROTECTED VERSION: ADD "H" TO THE CAT.NO. E.G. CAT.NO.: UTG1128SH



GEN. ST.	01	02	03	04	05	06	07	08	0D	50	60	70	80	90																	
INT. ST.	10	11	12	13	14	18	20	31	32	33	34	38	39	40	42	43	44	45	46	48	56	70	72	73	75	76	81	82	83	84	88

1DEC ±0,2 1DEC 2DEC ±0,1 2DEC ANGLES ±1° HOEKEN	APPR.	DATE	SIGN.	FEMALE RECEPTACLE FREE HANGING
WE RESERVE THE RIGHT TO CHANGE DIMENSIONS OR REQUIREMENTS WITHOUT PRIOR NOTICE.	DRAFT	7-6-91	M BUEDS	CAT.N°. UTG1----S (H)
ALL DIMENSIONS IN MM	CHECKED			SOURIAU SOURIAU Route Nationale 23 72470 CHAMPAGNE
ALLE AFMETINGEN IN MM	PROD. MGR.			SCALE
 	PR. ENG. MGR.			BS-A-201458-006
	PR. MGT. MGR.			DRAWING NR. CUSTOMER DRAWING
	REFERENCES			