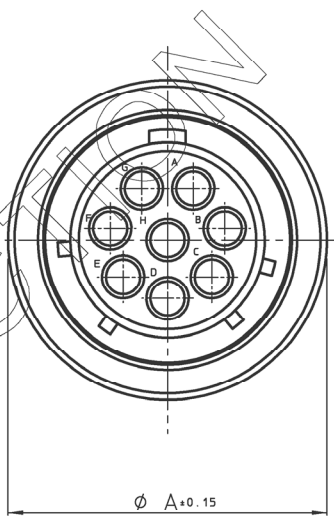
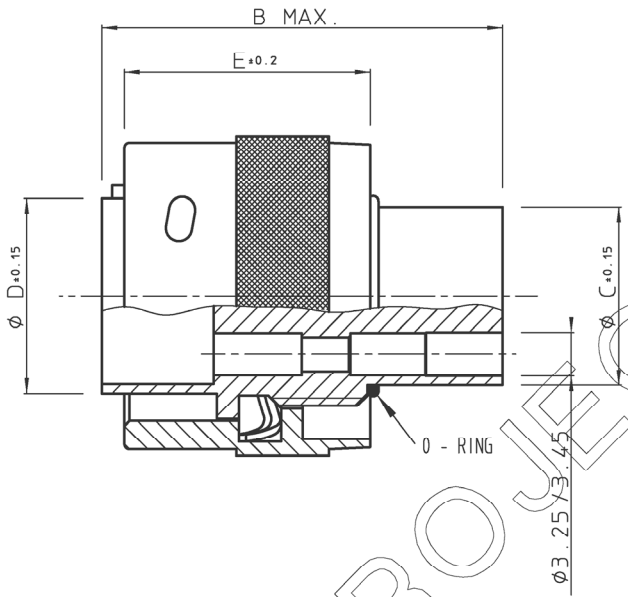
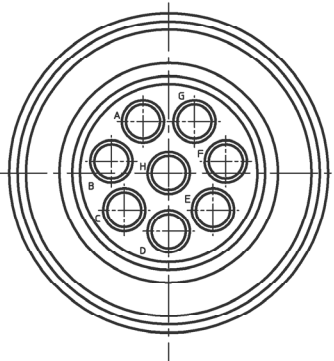


REV.	DATE	DESCRIPTION	BY	C'K'D'
A	17-12-01	CONVERSION PDM - BEC 9.3573	NL	

WIRING FACE

MATING FACE



CAT. NUMBER	∅ A+0.15	B MAX.	∅ C+0.15	∅ D+0.15	E+0.2
UTG6104PN	21.6	31.8	10.9	12.2	19.1
UTG6125PN	24.8	31.8	13.8	15.1	19.1
UTG6128PN	24.8	31.8	13.8	15.1	19.1
UTG61412PN	28.0	31.8	17.0	18.3	19.1
UTG61619PN	31.2	31.8	19.9	21.5	19.1
UTG61823PN	34.3	31.8	22.4	24.0	19.1
UTG62028PN	37.5	31.8	25.6	27.2	19.1
UTG62235PN	40.7	31.8	26.5	30.4	19.1
UTG62448PN	43.9	31.8	31.7	33.5	19.1

MATERIAL

UTG6128PN AS SHOWN

- BODY : GLASS-FILLED POLYESTER UL94-V0
COLOUR : BLACK.
- BAYONET RING : HIGH STRENGTH CuZn ALLOY, NICKEL PLATED.
- COUPLING SPRING : SPRING STEEL

PERFORMANCE CHARACTERISTICS

- OPERATING TEMPERATURE : -55 °C TO +125 °C.
- INSULATION RESISTANCE : 5000 MΩ MIN.
- TEST POTENTIAL : 2000 V EFF.

NOTES

- 1 CONNECTOR ACCEPTS # 16 STRIP FORMED, MACHINED AND SUBMINIATURE COAXIAL PIN AND SOCKET CONTACTS.
- 2 CONTACTS TO BE ORDERED SEPARATELY : REFER TO TRIM - TRIO CATALOG.
3. FOR OTHER INSERT ARRANGEMENTS SEE BS,C ,201458,000

DIT IS ONZE EIGENDOM EN MAG NOCH NAGEMAAKT, HERDRUKT, OVERGEMAAKT AAN DERDEN, NOCH VOOR FABRIKATIE GEBRUIKT WORDEN, ZONDER ONZE SCHRIFTELIJKE TOELATING. BIJ NIET GEBRUIK IS DE TERUGZENDING VERPLICHT.

THIS IS OUR EXCLUSIVE PROPERTY. IT IS NOT TO BE COPIED, REPRINTED OR DISCLOSED TO A THIRD PARTY, NOR USED FOR MANUFACTURING WITHOUT OUR WRITTEN CONSENT, AND HAS TO BE RETURNED TO JS. IN CASE OF NO USAGE

BS, A , 201458, 003

GEN. ST.	01	02	03	04	05	06	07	08	0D	50	60	70	80	90																	
INT. ST.	10	11	12	13	14	18	20	31	32	33	34	38	39	40	42	43	44	45	46	48	56	70	72	73	75	76	81	82	83	84	88

1DEC ±0,2 1DEC 2DEC ±0,1 2DEC ANGLES ±1° HOEKEN	APPR.	DATE	SIGN.	MALE PLUG
	DRAFT	7-6-91	M BUEDS	CAT. No. UTG6----PN
WE RESERVE THE RIGHT TO CHANGE DIMENSIONS OR REQUIREMENTS WITHOUT PRIOR NOTICE.	PROD. MGR.			SOURIAU Route Nationale 23 72470 CHAMPAGNE
	PR. ENG. MGR.			
ALL DIMENSIONS IN MM 	PR. MGT. MGR.			BS, A , 201458, 003 DRAWING NR. CUSTOMER DRAWING REVISION
ALLE AFMETINGEN IN MM	REFERENCES / REFERENTIES			