

DWG. NO.  
JBXFD2G02MSSDSMRC

THIS DRAWING IS A CONTROLLED DOCUMENT FOR SOURIAU USA, INC. CONTACT THE DOCUMENT CONTROL CENTER FOR THE LATEST REVISION.

C

B

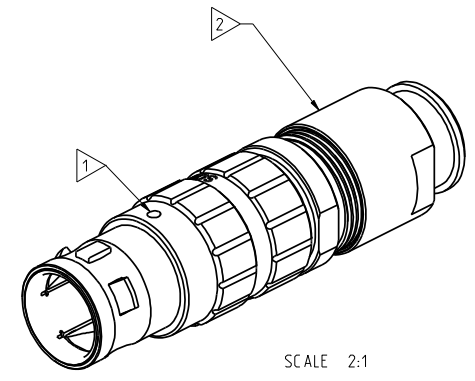
THE INFORMATION CONTAINED IN THIS DRAWING IS CONFIDENTIAL AND MAY NOT BE DISCLOSED WITHOUT WRITTEN CONSENT FROM SOURIAU USA, INC.

4

3

2

1



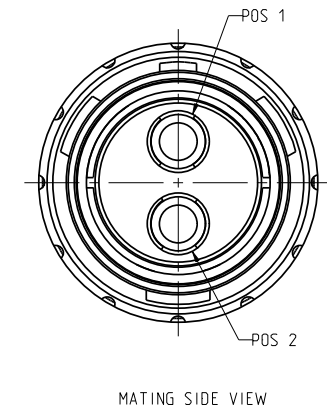
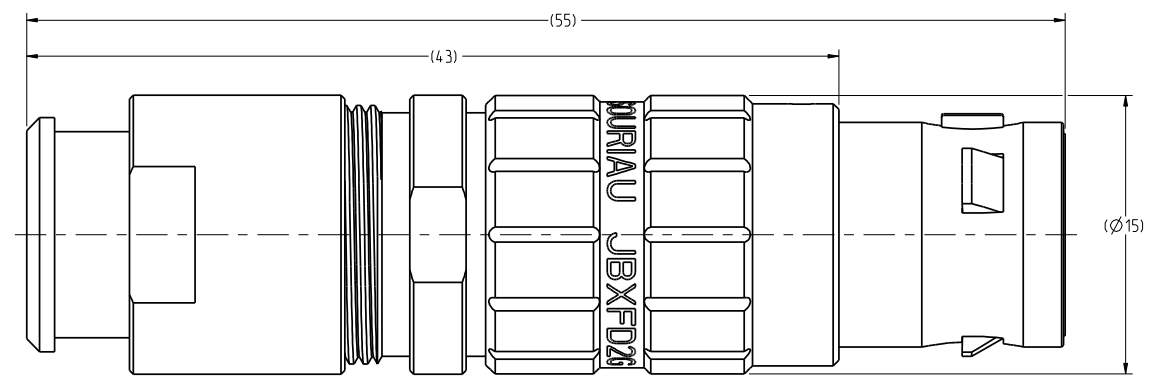
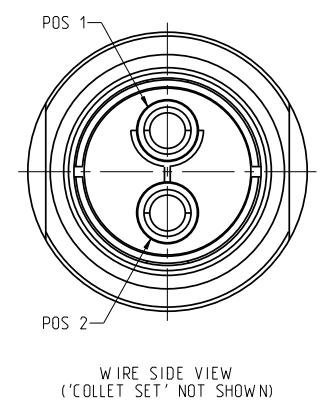
SCALE 2:1

- NOTES:
- 1 > RED DOT.
  - 2 > CONNECTOR WITH BACKNUT FOR PROTECTIVE BOOT - PROTECTIVE BOOT TO ORDER SEPARATELY.
- MATERIAL:
- OUTER SHELL & COLLET NUT : BRASS CuZn40Pb3 (C38500/C36000)
  - LATCHING SLEEVE : BRASS CuZn40Pb3 (C38500/C36000)
  - HALF BUSHES : BRASS CuZn40Pb3 (C38500/C36000)
  - PIN CONTACT (SOLDER) : BRASS CuZn35Pb2 (C35300/C36000)
  - CLIP : BERYLLIUM COPPER CuBe1.9 (C17200/C36000)
  - INSULATOR : PEEK WITH 15% GLASS FILLED, COLOR BROWN
  - COLLET : PA6/6 WITH MoS2, COLOR BLACK
- FINISH:
- OUTER SHELL & COLLET NUT : CHROME OVER NICKEL UNDERCOAT
  - OTHER BRASS PARTS EXCEPT PIN CONTACTS : NICKEL
  - PIN CONTACTS : GOLD AS PER MIL-G-45204C TYPE 1, CLASS 00.

D

C

B



A	RELEASED PER ECN 11336	SSF 01-18-11	SDH 01-18-11
REV	DESCRIPTION	BY DATE	CHKD DATE

DRAWING TITLE  
**JBX, SIZE 2, 2 POSITION, MALE STRAIGHT PLUG**

LINEAR MEASURE:	<input checked="" type="checkbox"/> INCH <input type="checkbox"/> MM (INCH)
THIRD ANGLE PROJECTION	
TOLERANCES UNLESS OTHERWISE SPECIFIED	
No. OF PLACES	mm (INCH)
WHOLE No.	±0.5 (±.02)
ONE PLACE	±0.2 (±.008)
TWO PLACES	±0.1 (±.004)
ANGLES ±1°	

CAGE NO: 09922    SIZE: C

**CUSTOMER**

INTERPRET THIS DRAWING IN ACCORDANCE WITH ASME Y14.5M - 1994.

**SOURIAU**  
Connection Technology  
www.souriau.com

DRAWN:	SNL	12-20-10
CHKD:	TW	12-20-10
DSGN:	XXX	mm-dd-yy
MFG:	DH	12-20-10
QC:	DK	12-20-10
DRAWING SCALE: 4:1		
DRAWING NO.	REV	
JBXFD2G02MSSDSMRC	A	

A

1 OF 2

4

3

2

1

PRO-E

DWG. NO.  
JBXFD2G02MSSDSMRC

THIS DRAWING IS A CONTROLLED DOCUMENT FOR SOURIAU USA, INC. CONTACT THE DOCUMENT CONTROL CENTER FOR THE LATEST REVISION.

C

B

THE INFORMATION CONTAINED IN THIS DRAWING IS CONFIDENTIAL AND MAY NOT BE DISCLOSED WITHOUT WRITTEN CONSENT FROM SOURIAU USA, INC.

**ELECTRICAL:**

EMI SHIELDING : SHIELDED FOR THE RANGE 55dB UP TO 100MHz

INSULATION RESISTANCE : >500MΩ PER ANSI-EIA-364-D METHOD 21

MAX. CURRENT RATING : (SEE TABLE 1)  
MAXIMUM CURRENT THAT CAN BE APPLIED SIMULTANEOUSLY ON EACH LINE OF THE CONNECTOR MATED PAIR, CONTINUOUSLY DURING ITS LIFE TIME IN NORMAL CLIMATIC CONDITIONS.

CONNECTOR TESTING : 2100Vrms  
VOLTAGE  
TEST VOLTAGE IS APPROXIMATELY 75% OF THE DWV VOLTAGE AT NORMAL CLIMATIC CONDITIONS. THIS VOLTAGE CAN BE ACHIEVED SEVERAL TIMES, BUT NOT APPLIED CONTINUOUSLY.

CONNECTOR WORKING : 1000/700 (Vdc/ Vrms)  
VOLTAGE  
WORKING VOLTAGE IS APPROXIMATELY 1/3 OF THE TEST VOLTAGE. THIS VOLTAGE IS SUSTAINABLE FOR THE LIFE OF THE CONNECTOR IN ITS WORKING ENVIRONMENT.

**PHYSICAL:**

MAXIMUM WIRE SIZE USED : 16 AWG

CABLE DIAMETER WITH PLASTIC : Ø3.5 mm MIN.  
COLLET SET SUPPLIED TO Ø9.7 mm MAX.

**ENVIRONMENTAL:**

ENDURANCE: 1000 CYCLES AS PER MIL-STD 1344A, METHOD 2016.1

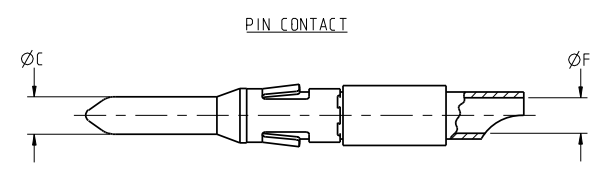
SHOCK: 100 g , DURATION 6 ms; AS PER MIL-STD 1344A, METHOD 2004.1

VIBRATIONS: 10 TO 2000Hz γ = 20g, AS PER MIL-STD 1344A, METHOD 2005.1

PROTECTION INDEX: IP 40 AS PER CEI 529

OPERATING TEMPERATURE:  
WITH PLASTIC COLLETS: -55°C TO +125°C (-67°F TO +257°F)

WITH OPTIONAL METALLIC COLLETS: -55°C TO +200°C (-67°F TO +392°F)  
(ONLY ON REQUEST)



CONTACT		USABLE CABLES			MAX. CURRENT RATING (A)	CONTACT RESISTANCE (mΩ)
ØC	ØF	CORE SECTION (mm <sup>2</sup> )		AWG		
		MIN.	MAX.			
2	1.9	-	1.34	16	30	2.5

DRAWING TITLE  
**JBX, SIZE 2, 2 POSITION, MALE STRAIGHT PLUG**

CAT NO. **JBXFD2G02MSSDSMR**

LINEAR MEASURE:		INCH	mm (INCH)
THIRD ANGLE PROJECTION			
TOLERANCES UNLESS OTHERWISE SPECIFIED			
No. OF PLACES	mm (INCH)		
WHOLE No.	±0.5 (±.02)		
ONE PLACE	±0.2 (±.008)		
TWO PLACES	±0.1 (±.004)		
ANGLES ±1°			

CAGE NO: 09922      SIZE: C

CUSTOMER

INTERPRET THIS DRAWING IN ACCORDANCE WITH ASME Y14.5M - 1994.



DRAWN:	SNL	12-20-10
CHKD:	TW	12-20-10
DSGN:	XXX	mm-dd-yy
MFG:	DH	12-20-10
QC:	DK	12-20-10
DRAWING SCALE: 4:1		
DRAWING NO.	REV	
JBXFD2G02MSSDSMRC	A	
2 OF 2		

D

C

B

A

4

3

2

1

PRO-E