

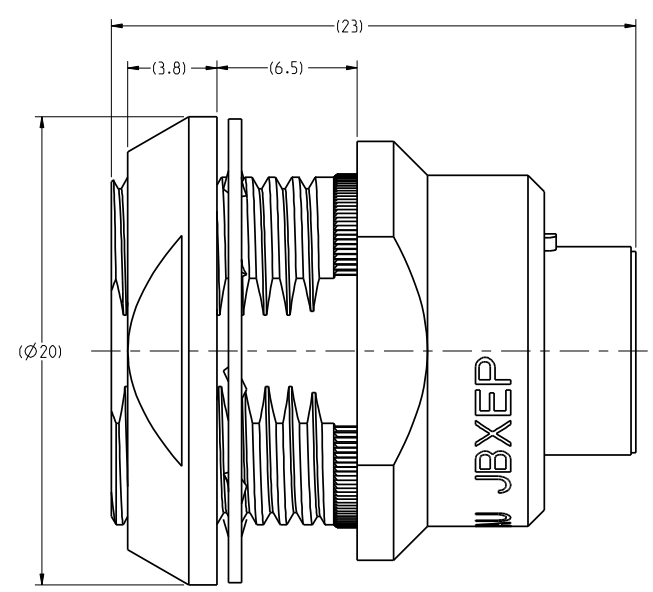
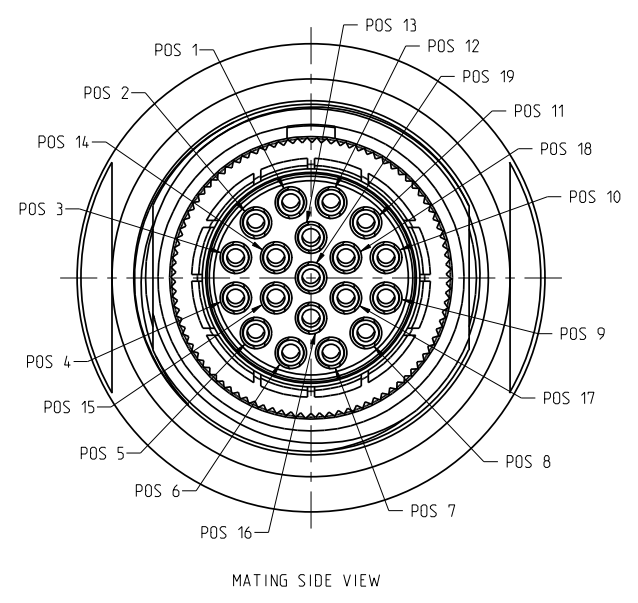
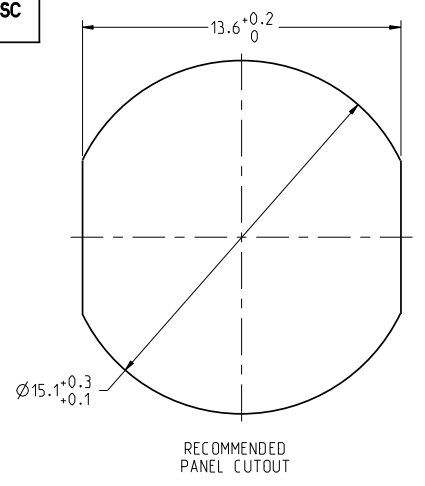
THIS DRAWING IS A CONTROLLED DOCUMENT FOR SOURIAU USA, INC. CONTACT THE DOCUMENT CONTROL CENTER FOR THE LATEST REVISION.

C

B

THE INFORMATION CONTAINED IN THIS DRAWING IS CONFIDENTIAL AND MAY NOT BE DISCLOSED WITHOUT WRITTEN CONSENT FROM SOURIAU USA, INC.

DWG. NO.
JBXEP2G19FCSDSC



NOTES:

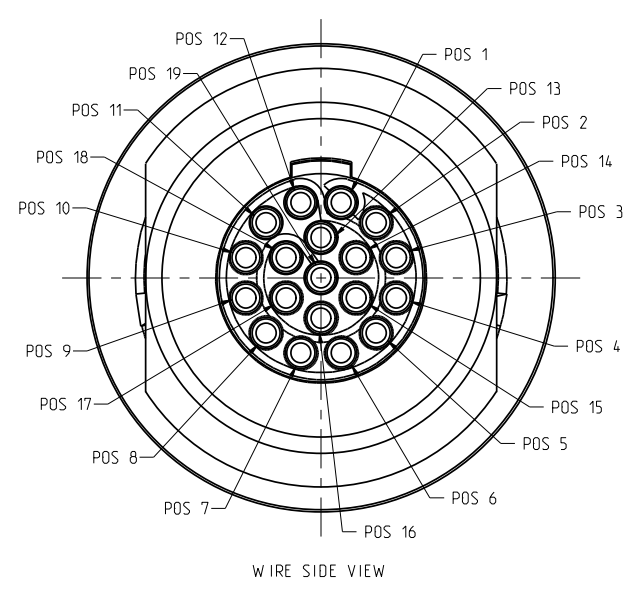
MATERIAL:

OUTER SHELL : } BRASS CuZn40Pb3 (C38500/C36000)
SHIELDING RING : }
NUT : }

SOCKET CONTACT (CRIMP) : CUPRO-NICKEL CuNi1Pb1P (CDAC 19150)
CLIP : BERYLLIUM COPPER CuBe1,9 (C17200/C36000)
INSULATOR : PEEK WITH 15% GLASS FILLED, COLOR BROWN

FINISH:

OUTER SHELL : CHROME OVER NICKEL UNDERCOAT
OTHER BRASS PARTS EXCEPT SOCKET CONTACTS : NICKEL
SOCKET CONTACTS : GOLD AS PER MIL-G-45204C TYPE 1, CLASS 00.



D

C

B

A

A	RELEASED PER ECN 11345	SSF 01-18-11	SDH 01-18-11
REV	DESCRIPTION	BY DATE	CHKD DATE

DRAWING TITLE
JBX, SIZE 2, 19 POSITION, EP RECEPTACLE

LINEAR MEASURE: $\frac{1}{16}$ (INCH) $\frac{1}{2}$ (MILLIMETER)	
THIRD ANGLE PROJECTION	
TOLERANCES UNLESS OTHERWISE SPECIFIED	
No. OF PLACES	mm (INCH)
WHOLE No.	± 0.5 ($\pm .02$)
ONE PLACE	± 0.2 ($\pm .008$)
TWO PLACES	± 0.1 ($\pm .004$)
ANGLES $\pm 1^\circ$	

CAGE NO: 09922 SIZE: C

CUSTOMER

INTERPRET THIS DRAWING IN ACCORDANCE WITH ASME Y14.5M - 1994.



DRAWN:	RK0	01-13-11
CHKD:	TW	01-13-11
DSGN:	XXX	mm-dd-yy
MFG:	DH	01-13-11
QC:	DK	01-13-11
DRAWING SCALE: 5:1		
DRAWING NO.	REV	
JBXEP2G19FCSDSC	A	
1 OF 2		

4

3

2

1

PRO-E

4 3 2 1

DWG. NO.
JBXEP2G19FCSDSC

THIS DRAWING IS A CONTROLLED DOCUMENT FOR SOURIAU USA, INC. CONTACT THE DOCUMENT CONTROL CENTER FOR THE LATEST REVISION.

ELECTRICAL:

EMI SHIELDING : SHIELDED FOR THE RANGE 55dB UP TO 100MHz

INSULATION RESISTANCE : >500MΩ PER ANSI-EIA-364-D METHOD 21

MAX. CURRENT RATING : (SEE TABLE 1) MAXIMUM CURRENT THAT CAN BE APPLIED SIMULTANEOUSLY ON EACH LINE OF THE CONNECTOR MATED PAIR, CONTINUOUSLY DURING ITS LIFE TIME IN NORMAL CLIMATIC CONDITIONS.

CONNECTOR TESTING : 1400 Vrms VOLTAGE TEST VOLTAGE IS APPROXIMATELY 75% OF THE DWV VOLTAGE AT NORMAL CLIMATIC CONDITIONS. THIS VOLTAGE CAN BE ACHIEVED SEVERAL TIMES, BUT NOT APPLIED CONTINUOUSLY.

CONNECTOR WORKING : 660/460 (Vdc/ Vrms) VOLTAGE WORKING VOLTAGE IS APPROXIMATELY 1/3 OF THE TEST VOLTAGE. THIS VOLTAGE IS SUSTAINABLE FOR THE LIFE OF THE CONNECTOR IN ITS WORKING ENVIRONMENT.

PHYSICAL:

MAXIMUM WIRE SIZE USED FOR CRIMPING : 22 AWG

ENVIRONMENTAL:

ENDURANCE: 500 CYCLES AS PER MIL-STD 1344A. METHOD 2016.1

SHOCK: 50 g . DURATION 6 ms; AS PER MIL-STD 1344A. METHOD 2004.1

VIBRATIONS: 10 TO 2000Hz γ = 15 g, AS PER MIL-STD 1344A. METHOD 2005.1

PROTECTION INDEX: IP 40 AS PER CEI 529

OPERATING TEMPERATURE: -55°C TO +200°C (-67°F TO +392°F)

SOCKET CONTACT

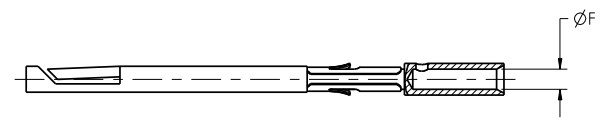


TABLE 1

CONTACT		USABLE CABLES			MAX. CURRENT RATING (A)	CONTACT RESISTANCE (mΩ)
ØC	ØF	CORE SECTION (mm ²)		AWG		
		MIN.	MAX.			
-	0.85	0.129	0.326	22-24-26	7	5

C

B

THE INFORMATION CONTAINED IN THIS DRAWING IS CONFIDENTIAL AND MAY NOT BE DISCLOSED WITHOUT WRITTEN CONSENT FROM SOURIAU USA, INC.

DRAWING TITLE
JBX, SIZE 2, 19 POSITION, EP RECEPTACLE

CAT NO. **JBXEP2G19FCSDS**

CAGE NO: 09922 SIZE: C

CUSTOMER



www.souriau.com

INTERPRET THIS DRAWING IN ACCORDANCE WITH ASME Y14.5M - 1994.

DRAWN:	RK0	01-13-11
CHKD:	TW	01-13-11
DSGN:	XXX	mm-dd-yy
MFG:	DH	01-13-11
QC:	DK	01-13-11

DRAWING SCALE: 5:1
DRAWING NO. REV

JBXEP2G19FCSDSC A

2 OF 2

D

C

B

A

4 3 2 1 PRO-E