

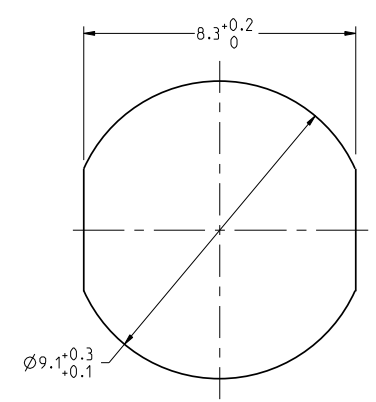
THIS DRAWING IS A CONTROLLED DOCUMENT FOR SOURIAU USA, INC. CONTACT THE DOCUMENT CONTROL CENTER FOR THE LATEST REVISION.

C

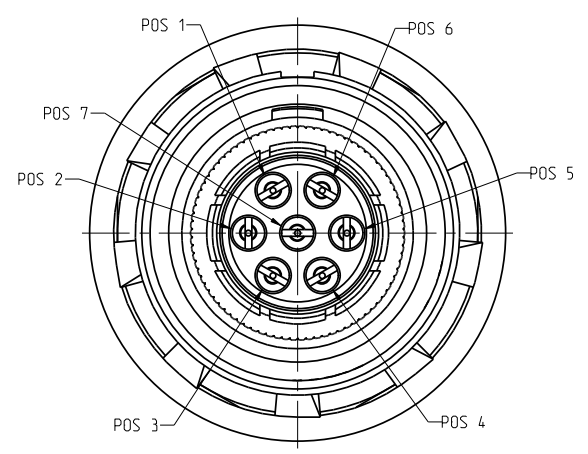
B

THE INFORMATION CONTAINED IN THIS DRAWING IS CONFIDENTIAL AND MAY NOT BE DISCLOSED WITHOUT WRITTEN CONSENT FROM SOURIAU USA, INC.

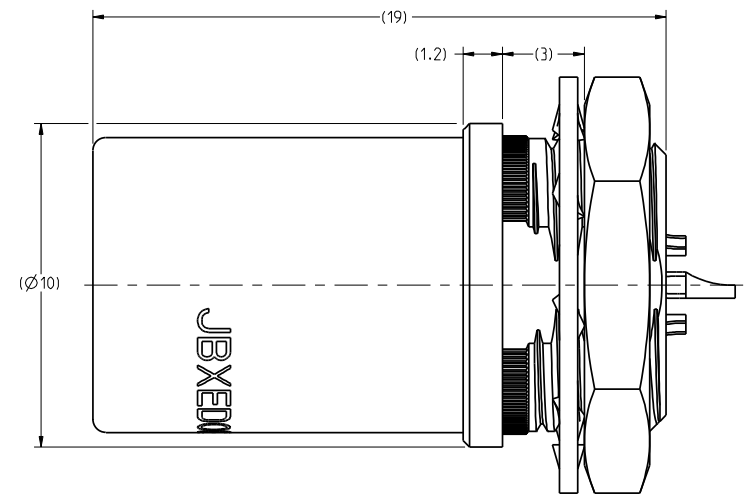
DWG. NO.
JBXED0G07FSSDPRC



RECOMMENDED
PANEL CUTOUT



MATING SIDE VIEW



SCALE 5:1

NOTES:

1 > RED BAND

MATERIAL:

OUTER SHELL :
SHIELDING RING :
NUT : } BRASS CuZn40Pb3 (C38500/C36000)

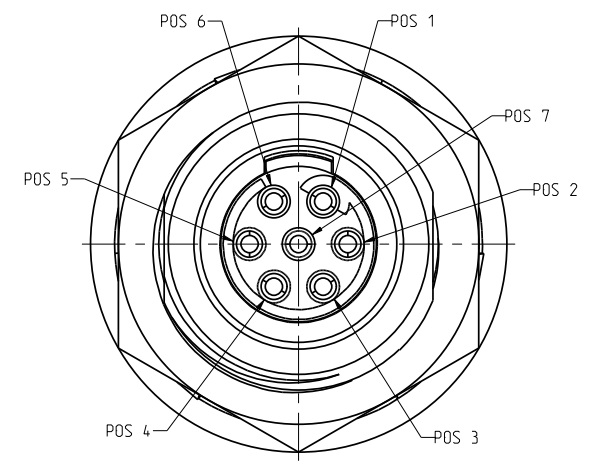
SOCKET CONTACT (SOLDER) : CUPRO-NICKEL CuNi1Pb1P (CDAC 19150)
INSULATOR : PEEK WITH 15% GLASS FILLED, COLOR BROWN

FINISH:

OUTER SHELL : CHROME OVER NICKEL UNDERCOAT

OTHER BRASS PARTS
EXCEPT SOCKET CONTACTS : NICKEL

SOCKET CONTACTS : GOLD AS PER MIL-G-45204C TYPE 1, CLASS 00.



WIRE SIDE VIEW

A	RELEASED PER ECN 11345	SSF 01-18-11	SDH 01-18-11
REV	DESCRIPTION	BY DATE	CHKD DATE

DRAWING TITLE
JBX, SIZE 0, 7 POSITION, ED RECEPTACLE
CAT NO. **JBXED0G07FSSDPR**

LINEAR MEASURE:	<input checked="" type="checkbox"/> INCH <input type="checkbox"/> MM (INCH)
THIRD ANGLE PROJECTION	
TOLERANCES UNLESS OTHERWISE SPECIFIED	
No. OF PLACES	mm (INCH)
WHOLE No.	±0.5 (±.02)
ONE PLACE	±0.2 (±.008)
TWO PLACES	±0.1 (±.004)
ANGLES ±1°	

CAGE NO: 09922 SIZE: C

CUSTOMER

INTERPRET THIS DRAWING IN ACCORDANCE WITH ASME Y14.5M - 1994.

SOURIAU
Connection Technology
www.souriau.com

DRAWN:	SNL	01-04-11
CHKD:	TW	01-04-11
DSGN:	XXX	mm-dd-yy
MFG:	DH	01-04-11
QC:	DK	01-04-11
DRAWING SCALE: 7:1		
DRAWING NO.	REV	
JBXED0G07FSSDPRC	A	
1 OF 2		

D

C

B

A

4

3

2

1

PRO-E

4 3 2 1

DWG. NO.
JBXED0G07FSSDPRC

THIS DRAWING IS A CONTROLLED DOCUMENT FOR SOURIAU USA, INC. CONTACT THE DOCUMENT CONTROL CENTER FOR THE LATEST REVISION.

C

B

THE INFORMATION CONTAINED IN THIS DRAWING IS CONFIDENTIAL AND MAY NOT BE DISCLOSED WITHOUT WRITTEN CONSENT FROM SOURIAU USA, INC.

ELECTRICAL:

EMI SHIELDING : SHIELDED FOR THE RANGE 55dB UP TO 100MHZ

INSULATION RESISTANCE : >500MΩ PER ANSI-EIA-364-D METHOD 21

MAX. CURRENT RATING : (SEE TABLE 1)
MAXIMUM CURRENT THAT CAN BE APPLIED SIMULTANEOUSLY ON EACH LINE OF THE CONNECTOR MATED PAIR, CONTINUOUSLY DURING ITS LIFE TIME IN NORMAL CLIMATIC CONDITIONS.

CONNECTOR TESTING VOLTAGE : 680Vrms
TEST VOLTAGE IS APPROXIMATELY 75% OF THE DWV VOLTAGE AT NORMAL CLIMATIC CONDITIONS. THIS VOLTAGE CAN BE ACHIEVED SEVERAL TIMES, BUT NOT APPLIED CONTINUOUSLY.

CONNECTOR WORKING VOLTAGE : 320/220 (Vdc/ Vrms)
WORKING VOLTAGE IS APPROXIMATELY 1/3 OF THE TEST VOLTAGE. THIS VOLTAGE IS SUSTAINABLE FOR THE LIFE OF THE CONNECTOR IN ITS WORKING ENVIRONMENT.

PHYSICAL:

MAXIMUM WIRE SIZE USED : 28 AWG

ENVIRONMENTAL:

ENDURANCE: 1000 CYCLES AS PER MIL-STD 1344A. METHOD 2016.1

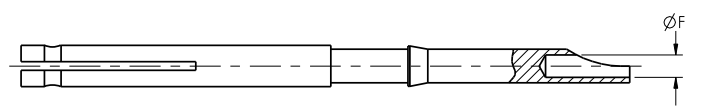
SHOCK: 50 g , DURATION 6 ms; AS PER MIL-STD 1344A. METHOD 2004.1

VIBRATIONS: 10 TO 2000Hz γ = 15g. AS PER MIL-STD 1344A. METHOD 2005.1

PROTECTION INDEX: IP 40 AS PER CEI 529

OPERATING TEMPERATURE: -55°C TO +200°C (-67°F TO +392°F)

SOCKET CONTACT



CONTACT		USABLE CABLES			MAX. CURRENT RATING (A)	CONTACT RESISTANCE (mΩ)
ØC	ØF	CORE SECTION (mm ²)		AWG		
		MIN.	MAX.			
-	0.5	-	0.096	28	5	10

DRAWING TITLE
JBX, SIZE 0, 7 POSITION, ED RECEPTACLE

CAT NO. **JBXED0G07FSSDPR**

CAGE NO: 09922 SIZE: C

CUSTOMER

INTERPRET THIS DRAWING IN ACCORDANCE WITH ASME Y14.5M - 1994.



APPROVAL	DRAWN: SNL	01-04-11
	CHKD : TW	01-04-11
	DSGN : XXX	mm-dd-yy
	MFG : DH	01-04-11
	QC : DK	01-04-11
	DRAWING SCALE: 4:1	
	DRAWING NO.	REV
	JBXED0G07FSSDPRC	A
	2 OF 2	

D

C

B

A

4 3 2 1 PRO-E