

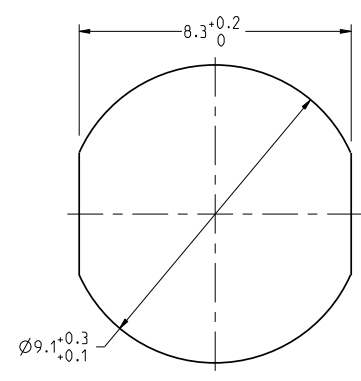
THIS DRAWING IS A CONTROLLED DOCUMENT FOR SOURIAU USA, INC. CONTACT THE DOCUMENT CONTROL CENTER FOR THE LATEST REVISION.

C

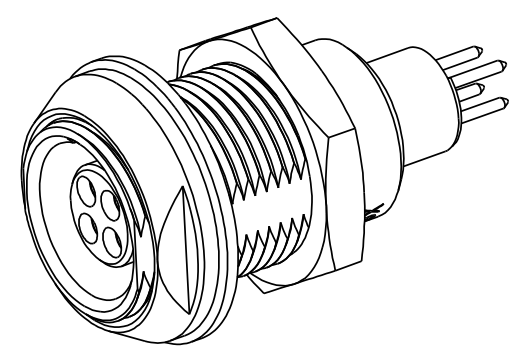
B

THE INFORMATION CONTAINED IN THIS DRAWING IS CONFIDENTIAL AND MAY NOT BE DISCLOSED WITHOUT WRITTEN CONSENT FROM SOURIAU USA, INC.

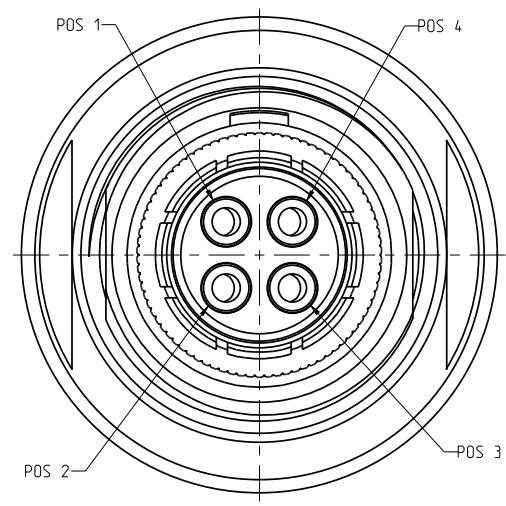
DWG. NO. JBXEA0G04FPSDSC



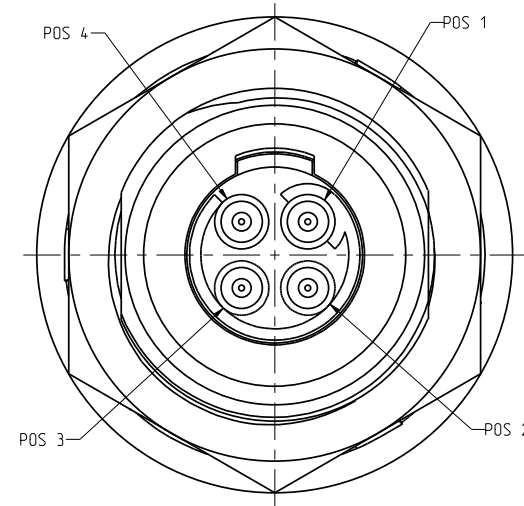
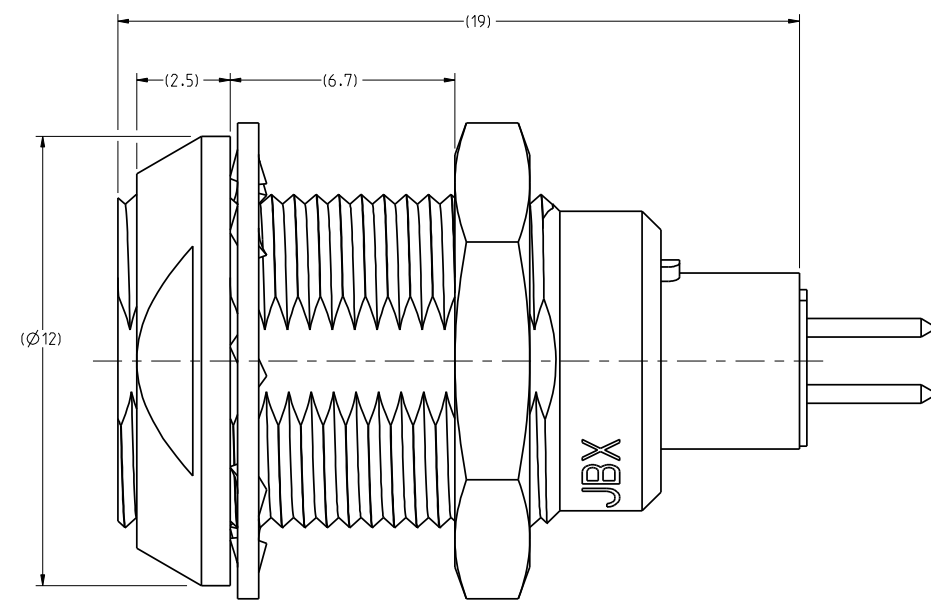
RECOMMENDED PANEL CUTOUT



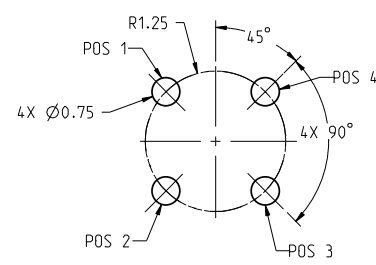
SCALE 5:1



MATING SIDE VIEW



WIRE SIDE VIEW



PCB CUTOUT

NOTES:

- MATERIAL:**
- OUTER SHELL & PANEL NUT : BRASS CuZn40Pb3 (C38500/C36000)
 - SHIELDING RING : BRASS CuZn40Pb3 (C38500/C36000)
 - NUT : BRASS CuZn40Pb3 (C38500/C36000)
- SOCKET CONTACT (PCB) : CUPRO-NICKEL CuNi1Pb1P (CDAC 19150)
- INSULATOR : PEEK WITH 15% GLASS FILLED, COLOR BROWN
- FINISH:**
- OUTER SHELL : CHROME OVER NICKEL UNDERCOAT
 - OTHER BRASS PARTS EXCEPT SOCKET CONTACTS : NICKEL
 - SOCKET CONTACTS : GOLD AS PER MIL-G-45204C TYPE 1, CLASS 00.

D

C

B

A

A	RELEASED PER ECN 11353	SSF 01-26-11	SDH 01-26-11
REV	DESCRIPTION	BY DATE	CHKD DATE

DRAWING TITLE
JBX, SIZE 0, 4 POSITION EA RECEPTACLE

CAT NO. JBXEA0G04FPSDS

CAGE NO: 09922 SIZE: C

CUSTOMER	 www.souriau.com	DRAWN: SNL 12-23-10
		CHKD: TW 12-23-10
INTERPRET THIS DRAWING IN ACCORDANCE WITH ASME Y14.5M - 1994.		DSGN: XXX mm-dd-yy
		MFG: DH 12-23-10
DRAWING SCALE: 8:1		QC: DK 12-23-10
		DRAWING NO. REV
1 OF 2		JBXEA0G04FPSDSC A

LINEAR MEASURE:	<input checked="" type="checkbox"/> INCH <input type="checkbox"/> MM (INCH)
THIRD ANGLE PROJECTION	
TOLERANCES UNLESS OTHERWISE SPECIFIED	
No. OF PLACES	mm (INCH)
WHOLE No.	±0.5 (±.02)
ONE PLACE	±0.2 (±.008)
TWO PLACES	±0.1 (±.004)
ANGLES ±1°	

4

3

2

1

PRO-E

THIS DRAWING IS A CONTROLLED DOCUMENT FOR SOURIAU USA, INC. CONTACT THE DOCUMENT CONTROL CENTER FOR THE LATEST REVISION.

C

B

THE INFORMATION CONTAINED IN THIS DRAWING IS CONFIDENTIAL AND MAY NOT BE DISCLOSED WITHOUT WRITTEN CONSENT FROM SOURIAU USA, INC.

DWG. NO.
JBXEA0G04FPSDSC

ELECTRICAL:

EMI SHIELDING : SHIELDED FOR THE RANGE 55dB UP TO 100MHz

INSULATION RESISTANCE : >500MΩ PER ANSI-E1A-364-D METHOD 21

MAX. CURRENT RATING : (SEE TABLE 1)
MAXIMUM CURRENT THAT CAN BE APPLIED SIMULTANEOUSLY ON EACH LINE OF THE CONNECTOR MATED PAIR, CONTINUOUSLY DURING ITS LIFE TIME IN NORMAL CLIMATIC CONDITIONS.

CONNECTOR TESTING : 1400Vrms
VOLTAGE TEST VOLTAGE IS APPROXIMATELY 75% OF THE DWV VOLTAGE AT NORMAL CLIMATIC CONDITIONS. THIS VOLTAGE CAN BE ACHIEVED SEVERAL TIMES, BUT NOT APPLIED CONTINUOUSLY.

CONNECTOR WORKING : 660/460 (Vdc/ Vrms)
VOLTAGE WORKING VOLTAGE IS APPROXIMATELY 1/3 OF THE TEST VOLTAGE. THIS VOLTAGE IS SUSTAINABLE FOR THE LIFE OF THE CONNECTOR IN ITS WORKING ENVIRONMENT.

ENVIRONMENTAL:

ENDURANCE: 1000 CYCLES AS PER MIL-STD 1344A. METHOD 2016.1

SHOCK: 50 g . DURATION 6 ms; AS PER MIL-STD 1344A. METHOD 2004.1

VIBRATIONS: 10 TO 2000Hz γ = 15g, AS PER MIL-STD 1344A. METHOD 2005.1

PROTECTION INDEX: IP 40 AS PER CEI 529

OPERATING TEMPERATURE: -55°C TO +200°C (-67°F TO +392°F)

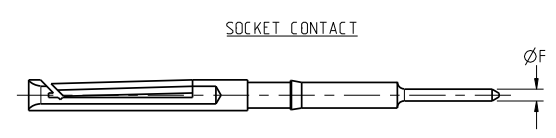


TABLE 1			
CONTACT		MAX. CURRENT RATING (A)	CONTACT RESISTANCE (mΩ)
ØC	ØF		
-	0.5	7	5

DRAWING TITLE
JBX, SIZE 0, 4 POSITION EA RECEPTACLE

CAT NO. **JBXEA0G04FPSDSC**

LINEAR MEASURE:	<input checked="" type="checkbox"/> INCH <input type="checkbox"/> MM (INCH)
THIRD ANGLE PROJECTION	
TOLERANCES UNLESS OTHERWISE SPECIFIED	
WHOLE No.	±0.5 (±.02)
ONE PLACE	±0.2 (±.008)
TWO PLACES	±0.1 (±.004)
ANGLES ±1°	

CAGE NO: 09922 SIZE: C

CUSTOMER



INTERPRET THIS DRAWING IN ACCORDANCE WITH ASME Y14.5M - 1994.

APPROVAL	DRAWN: SNL	12-23-10
	CHKD: TW	12-23-10
	DSGN: XXX	mm-dd-yy
	MFG: DH	12-23-10
	QC: DK	12-23-10
	DRAWING SCALE: 8:1	
	DRAWING NO.	REV
	JBXEA0G04FPSDSC	A
	2 OF 2	

D

C

B

A

4

3

2

1

PRO-E