



AC1020 • 20 Amp Current Transformer

Low Cost 50/60Hz Current Transformers

Applications

- Sensing Overload Current
- Ground fault detection
- Metering
- Analog to Digital Circuits
- Competitive pricing due to high volume production
- Manufactured in an ISO-9001:2000, TS-16949:2002 and ISO-14001:2004 certified Talema facility
- Fully RoHS compliant

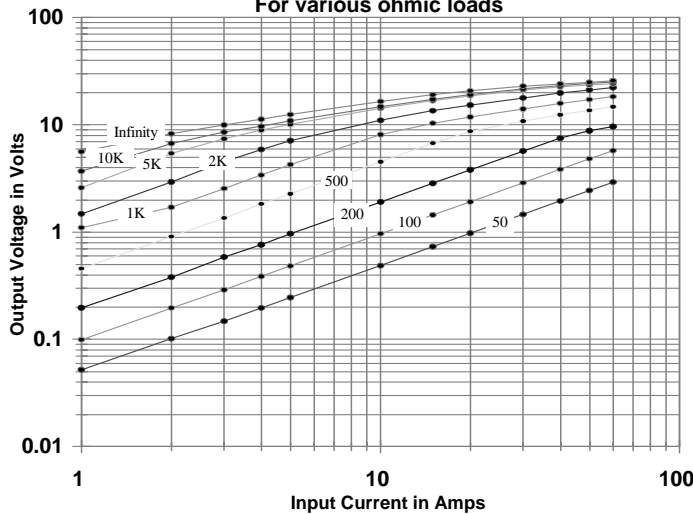
Electrical Specifications @ 20°C ambient

Electrical Specifications	
Primary Current	20A nom., 60 A max.
Turns Ratio	1000:1 nominal
Volt per Amp Ratio at 20A for 100 ohm load	0.100 V/A
Volt per Amp Ratio at 2A for 100 ohm load	0.097 V/A
DC Resistance at 20 °C	41.8 ohms
Dielectric Withstanding Voltage (Hi-pot)	4KVrms
Mechanical Specifications	
Case	Polycarbonate
Encapsulant	Epoxy
Flammibility	Conforms to UL94-VO
Terminals	Pins Ø 0.80mm
Marking	TALEMA Date Code (W/Y) AC1020, Dot at start pin
Approximate Weight	16.3 grams
Tolerance	±0.2mm

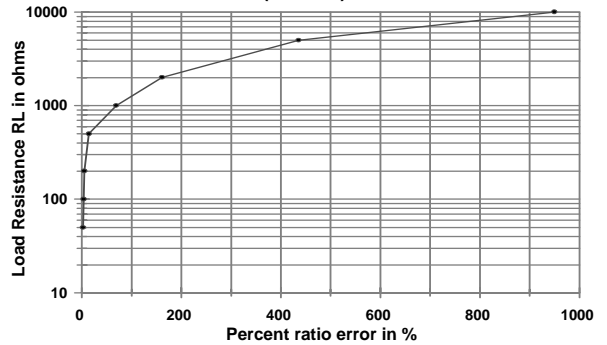


Environmental Specifications	
Storage Temperature	-55 ° to +130 °C
Insulation Resistance	100 megohms min.

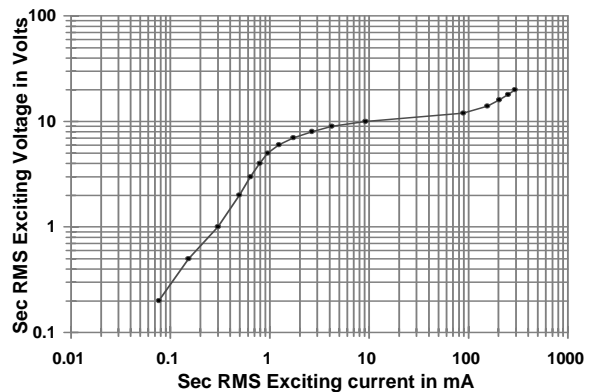
Output Volts vs Input Current For various ohmic loads



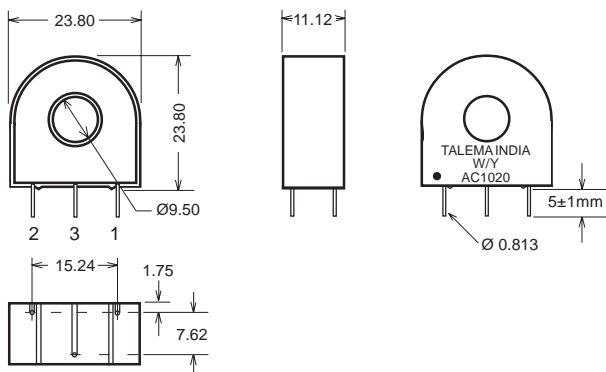
%RE vs RL at Rated primary current (AC1020)



Typical Excitation Curve (AC1005~AC1020)



Dimensions



Notes:

- 1) Unless requested, the terminating resistor and the one-turn primary are not supplied
- 2) Pin 3: Normally for mechanical support only but will be used on center tapped designs

