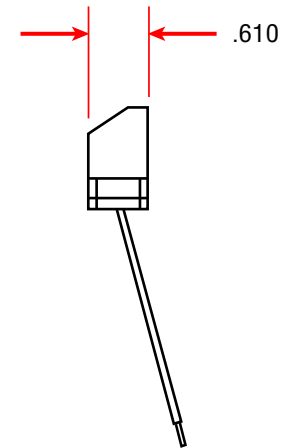
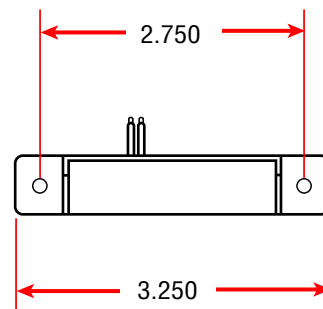
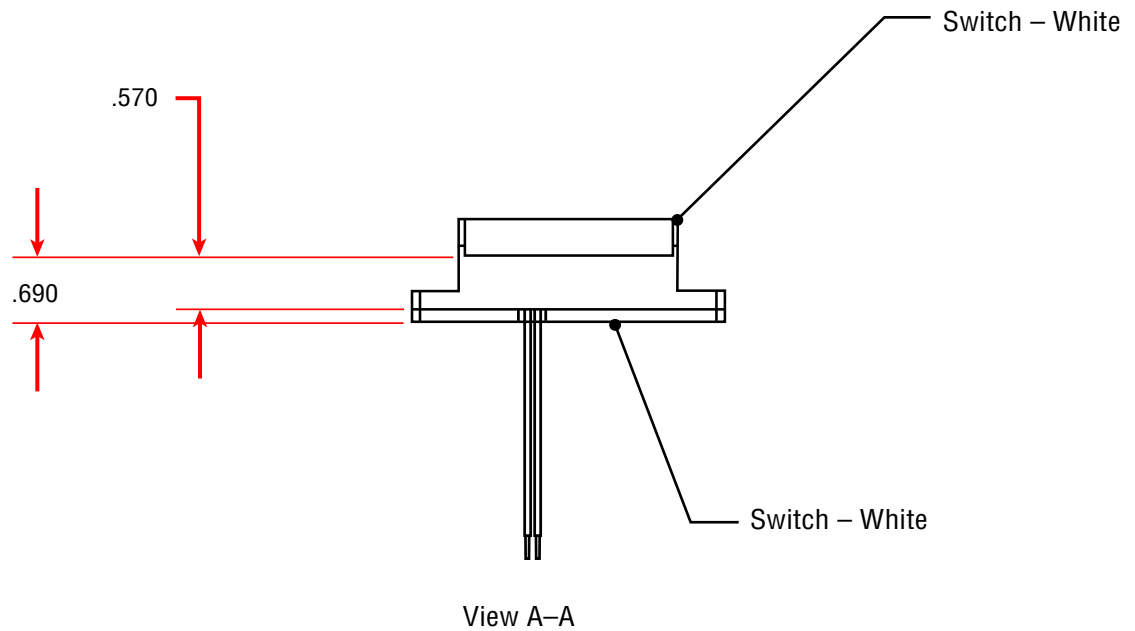
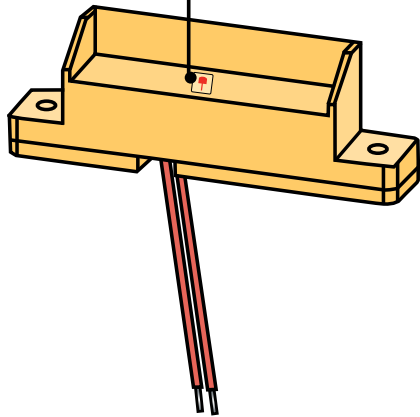


Location of Sensor



# SWITCH ASSEMBLY

Part No.: **038**

Housing Material: ABS, White

PROPERTY OF NORAM

