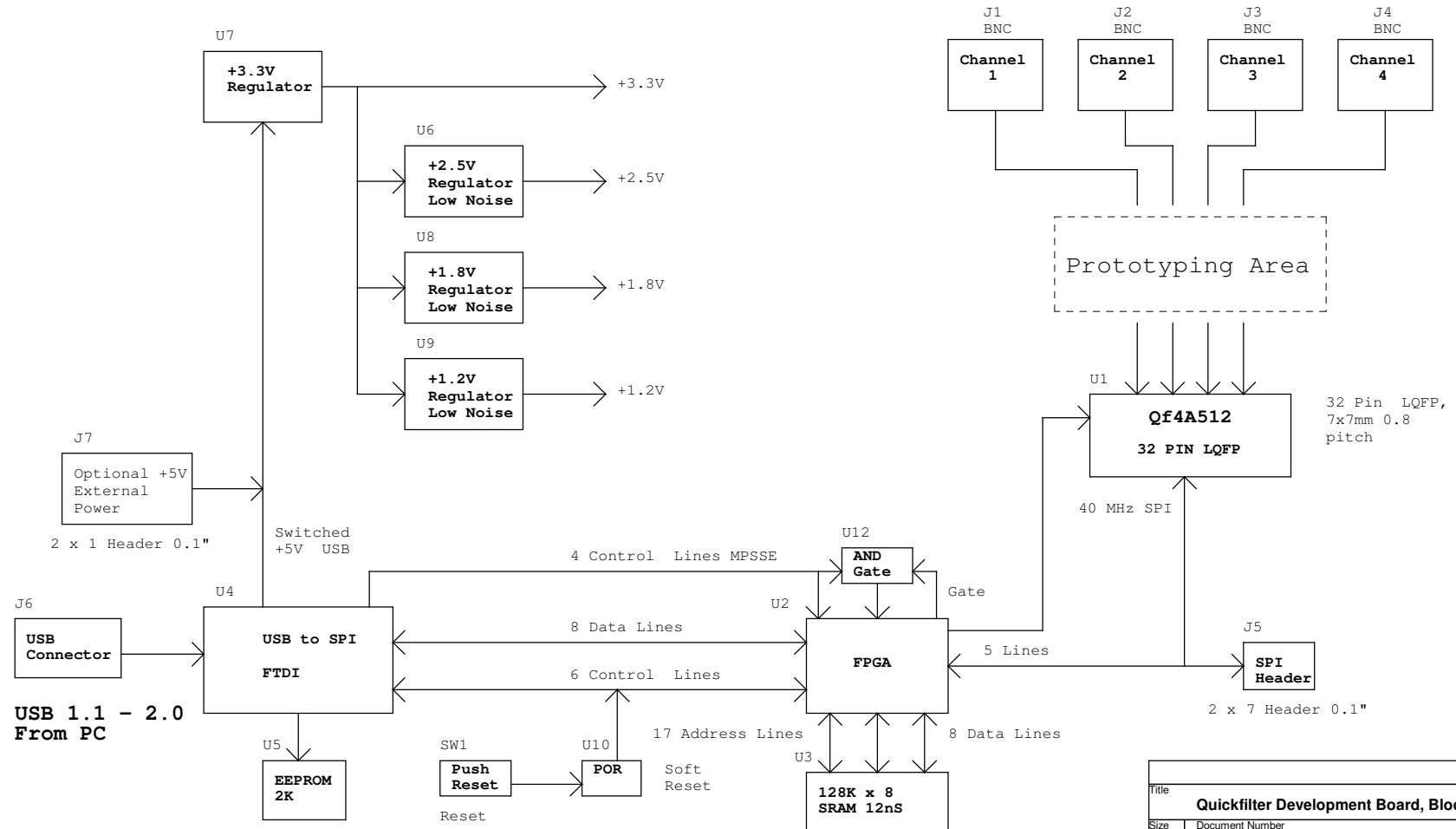


Quickfilter Development Board, QF4A512 - DK

Analog Inputs 1 - 4

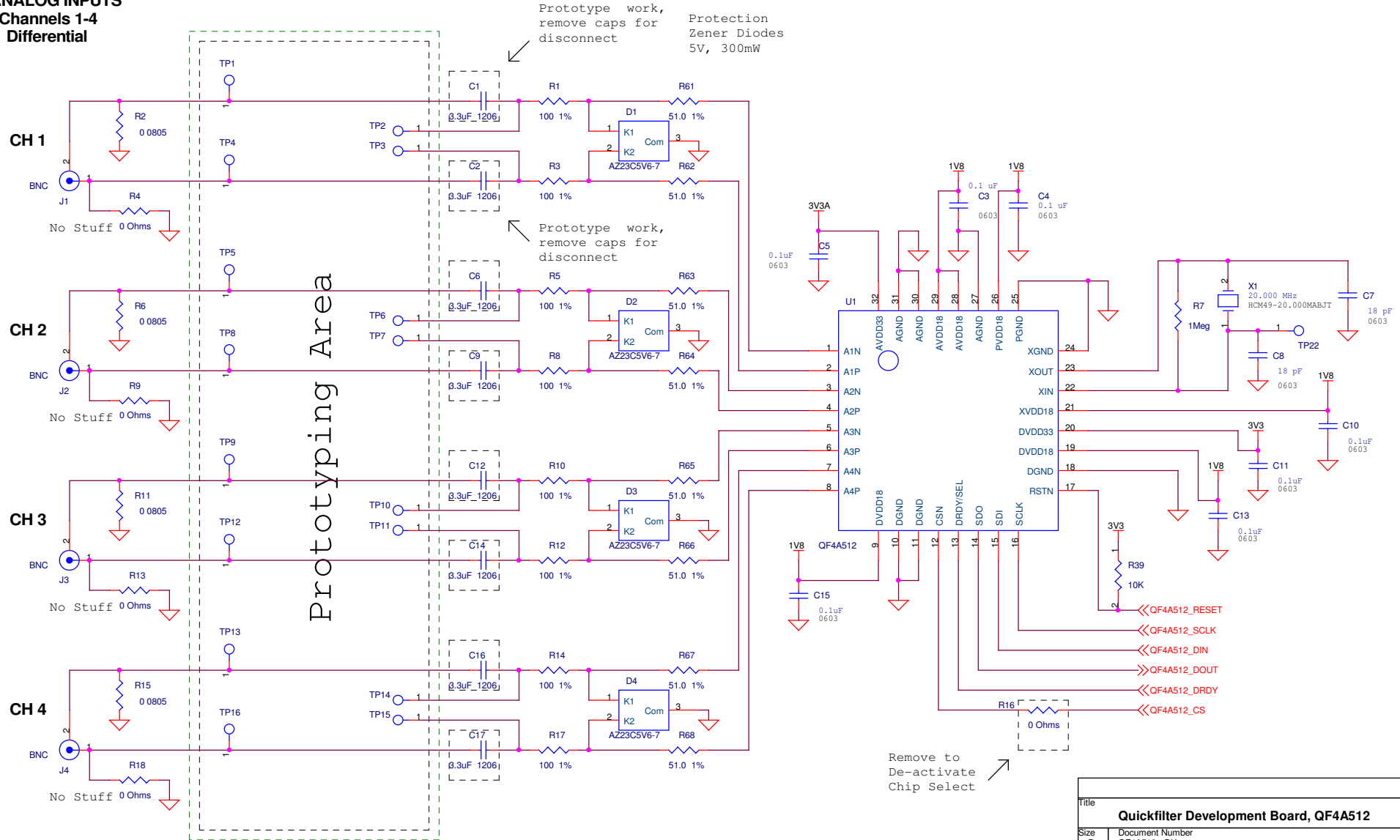


Title		
Quickfilter Development Board, Block Diagram		
Size	Document Number	Rev
B	QF4A512 - DK	2.5
Date:	Friday, September 24, 2010	Sheet 1 of 5

© 2010 Quickfilter Technologies, Inc.

Quickfilter Development Board, QF4A512

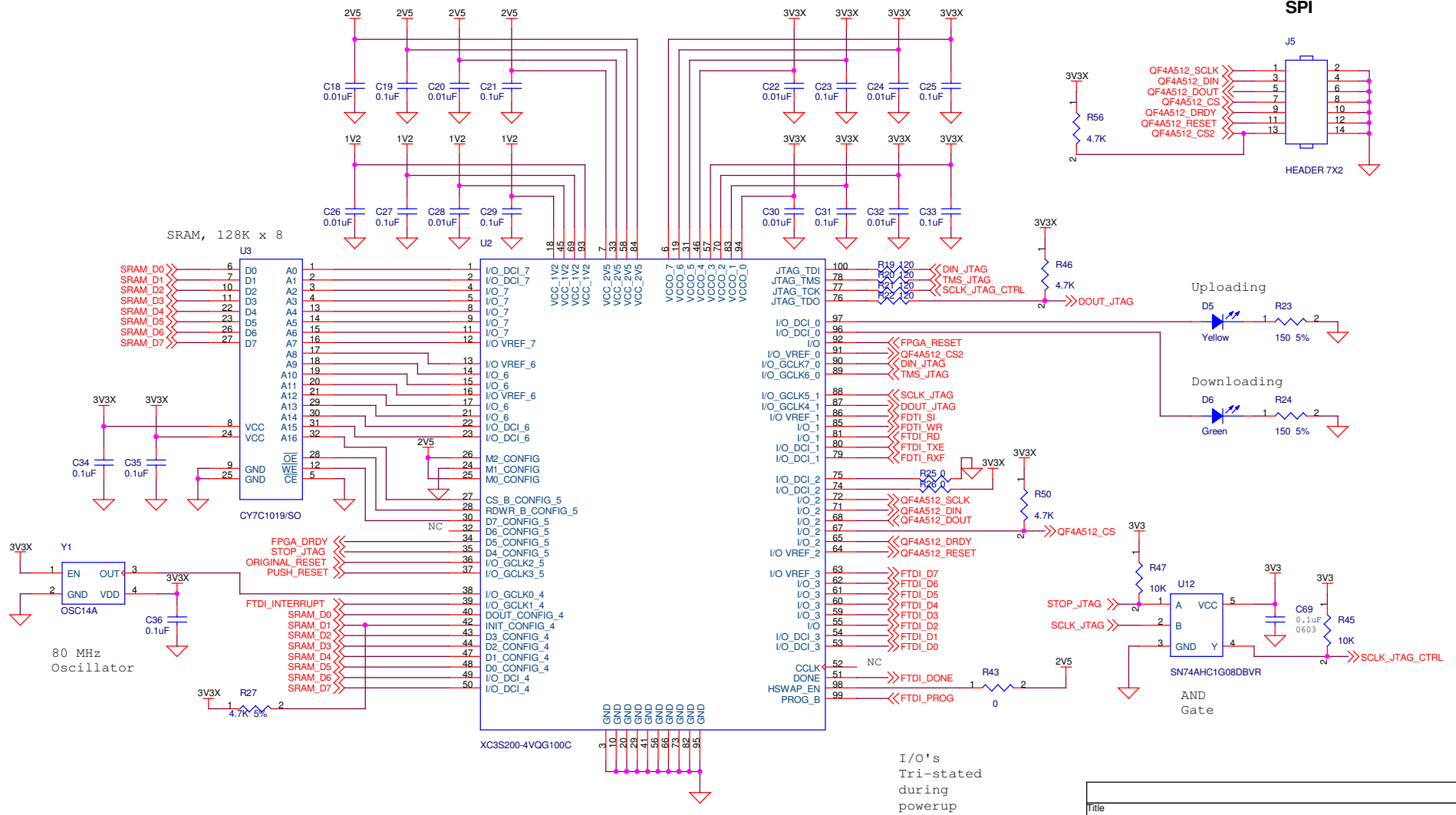
ANALOG INPUTS Channels 1-4 Differential



© 2010 Quickfilter Technologies, Inc.

Title Quickfilter Development Board, QF4A512		
Size B	Document Number QF4A512 - DK	Rev 2.5
Date: Friday, September 24, 2010	Sheet 2	of 5

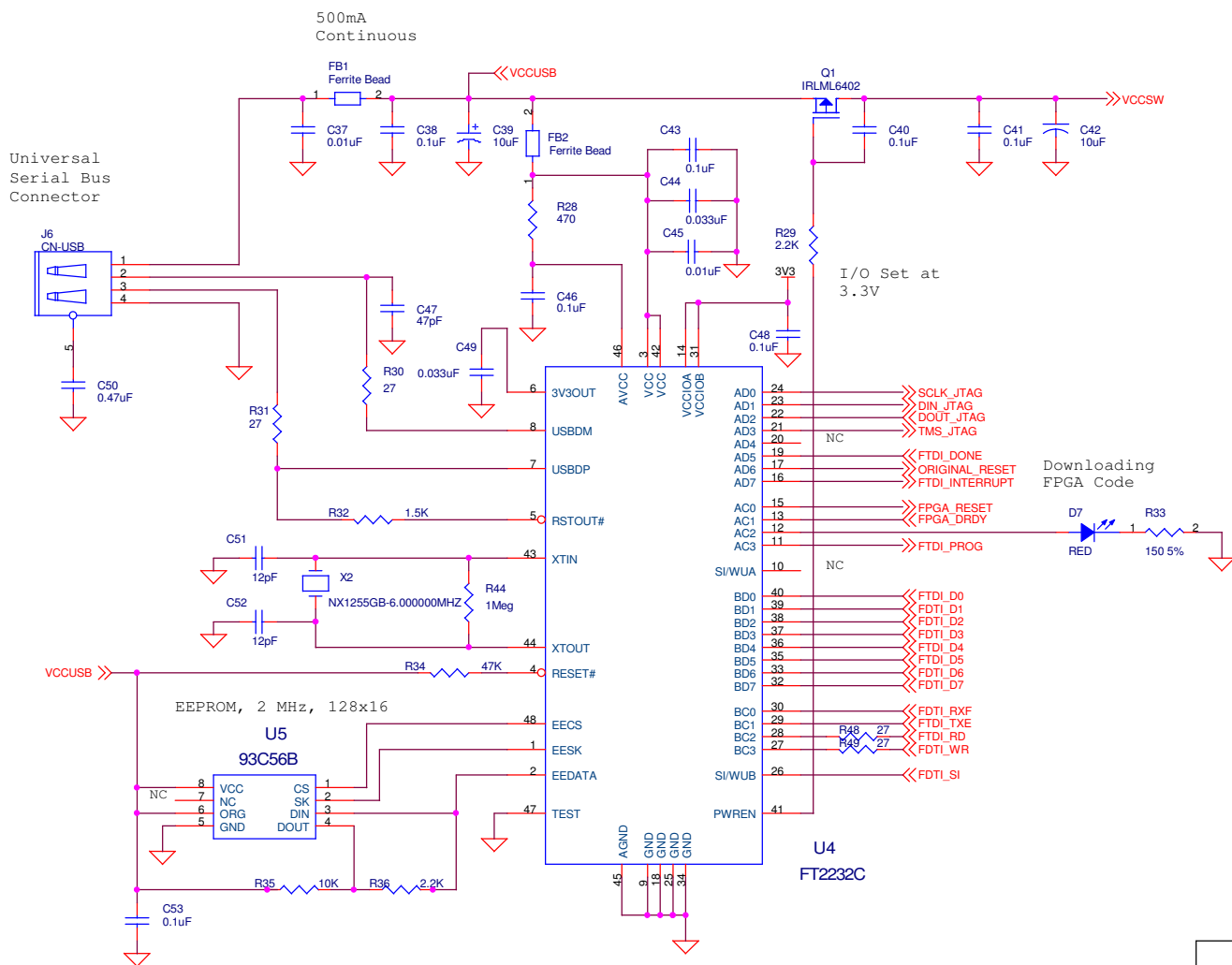
Quickfilter Development Board, 40 MHz SPI Interface



Title		
Quickfilter Development Board - 40 MHz SPI		
Size	Document Number	Rev
B	QF4A512 - DK - Aaron Headley	2.5
Date:	Friday, September 24, 2010	Sheet 3 of 5

I/O's
Tri-stated
during
powerup

Quickfilter Development Board, USB

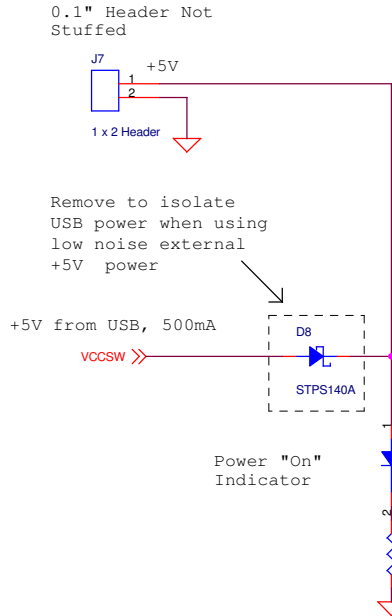


© 2010 Quickfilter Technologies, Inc.

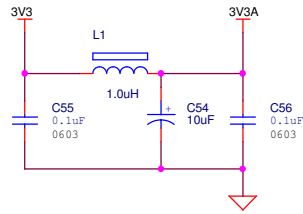
Title		
Quickfilter Development Board, USB		
Size	Document Number	Rev
B	QF4A512 - DK - Aaron Headley	2.5
Date:	Friday, September 24, 2010	Sheet 4 of 5

Quickfilter Development Board, Power

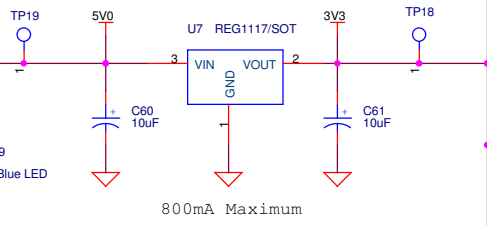
External +5V Power Option



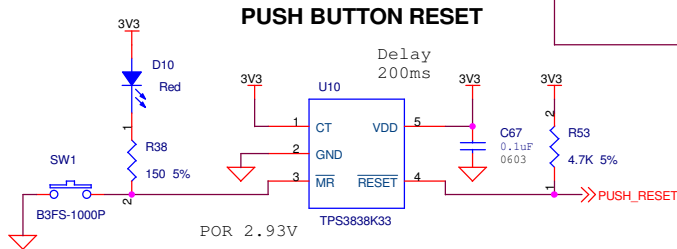
3.3V Analog



3.3V REGULATOR

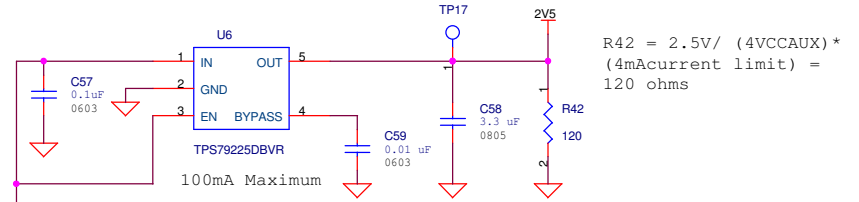


PUSH BUTTON RESET

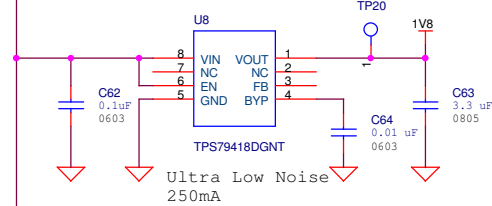


2.5V REGULATOR

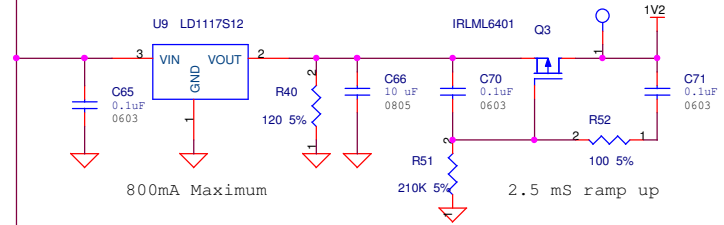
2.5V Regulator designed for reverse current protection



1.8V REGULATOR



1.2V REGULATOR



Title		
Quickfilter Development Board, Power		
Size	Document Number	Rev
B	QF4A512 - DK - Aaron Headley	2.5
Date:	Friday, September 24, 2010	Sheet 5 of 5