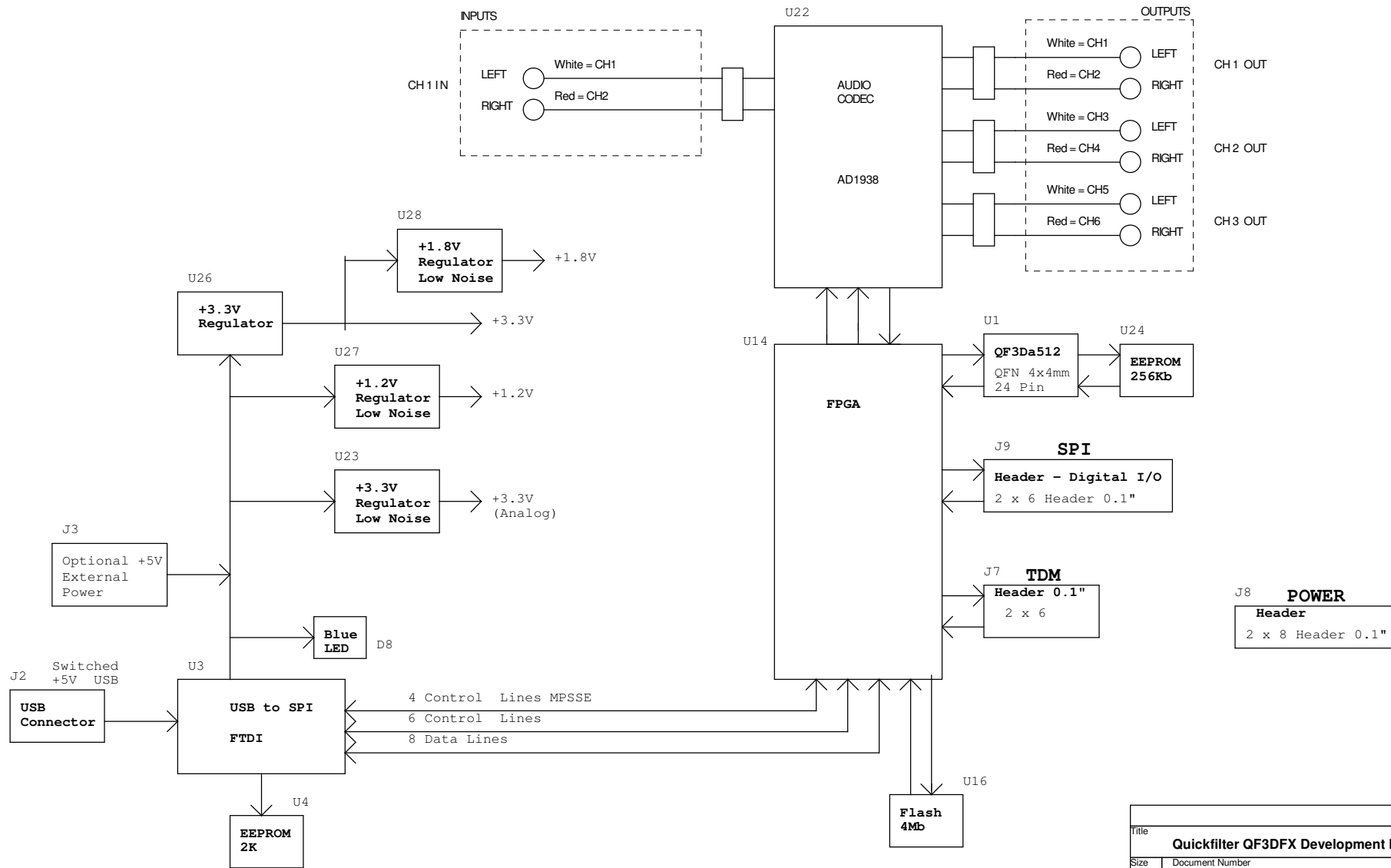


# Quickfilter Development Board QF3DFX-DK

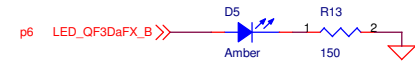
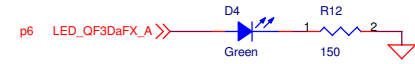
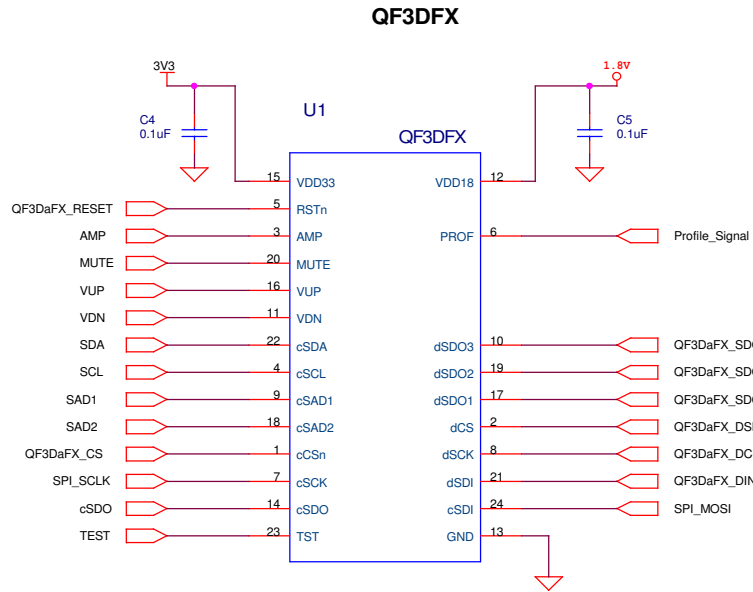


© 2010 Quickfilter Technologies, Inc.

|                                      |                       |               |
|--------------------------------------|-----------------------|---------------|
| Title                                |                       |               |
| Quickfilter QF3DFX Development Board |                       |               |
| Size                                 | Document Number       | Rev           |
| B                                    | QF3DFX - DK           | 1.13          |
| Date:                                | Friday, July 15, 2011 | Sheet 1 of 14 |

# Quickfilter QF3DFX-DK

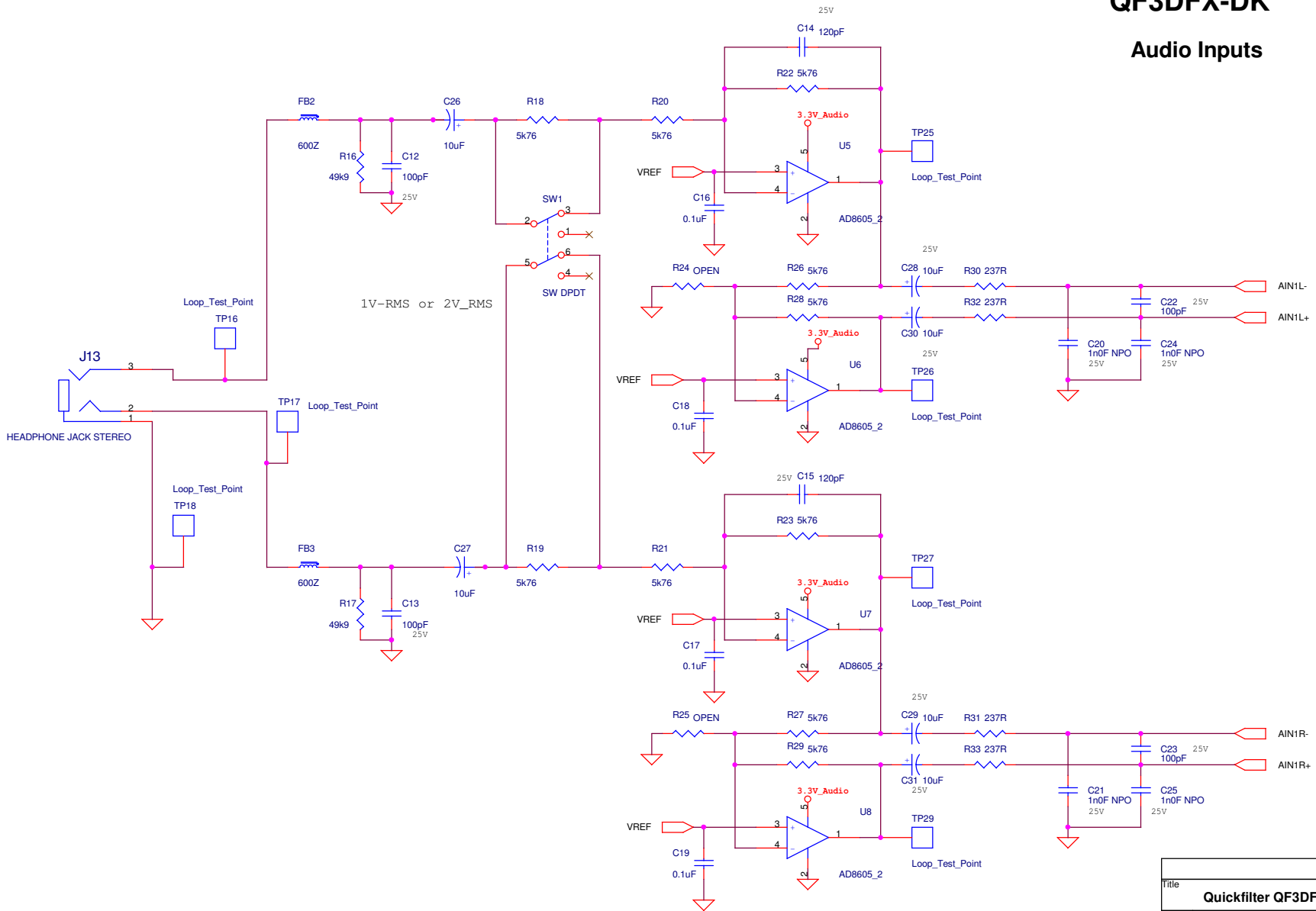
## QF3DFX



|                             |                           |          |
|-----------------------------|---------------------------|----------|
| Title                       |                           |          |
| Quickfilter QF3DFX-DK       |                           |          |
| Size B                      | Document Number QF3DFX-DK | Rev 1.13 |
| Date: Friday, July 15, 2011 | Sheet 2 of 14             |          |

# QF3DFX-DK

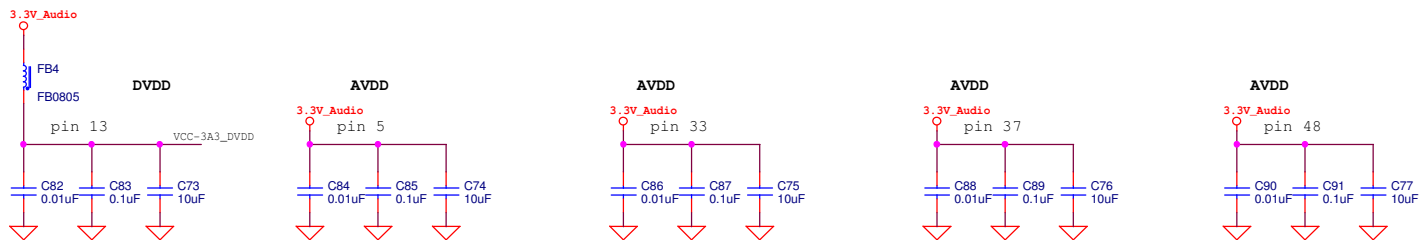
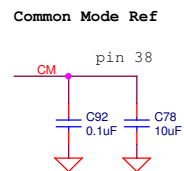
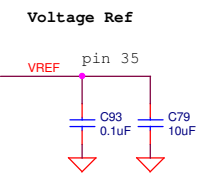
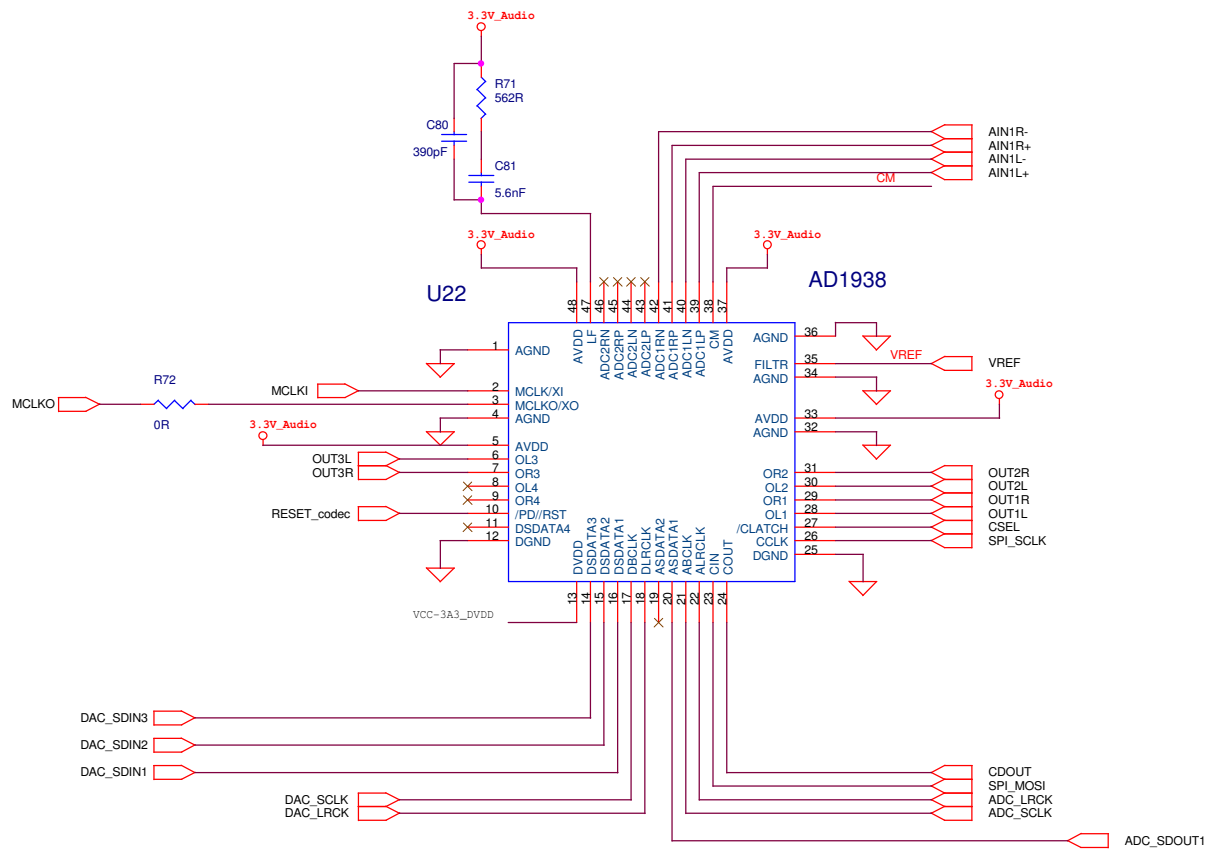
## Audio Inputs



|                                      |                 |               |
|--------------------------------------|-----------------|---------------|
| Title                                |                 |               |
| Quickfilter QF3DFX Development Board |                 |               |
| Size                                 | Document Number | Rev           |
| B                                    | QF3DFX-DK       | 1.13          |
| Date: Friday, July 15, 2011          |                 | Sheet 4 of 14 |

# QF3DFX-DK

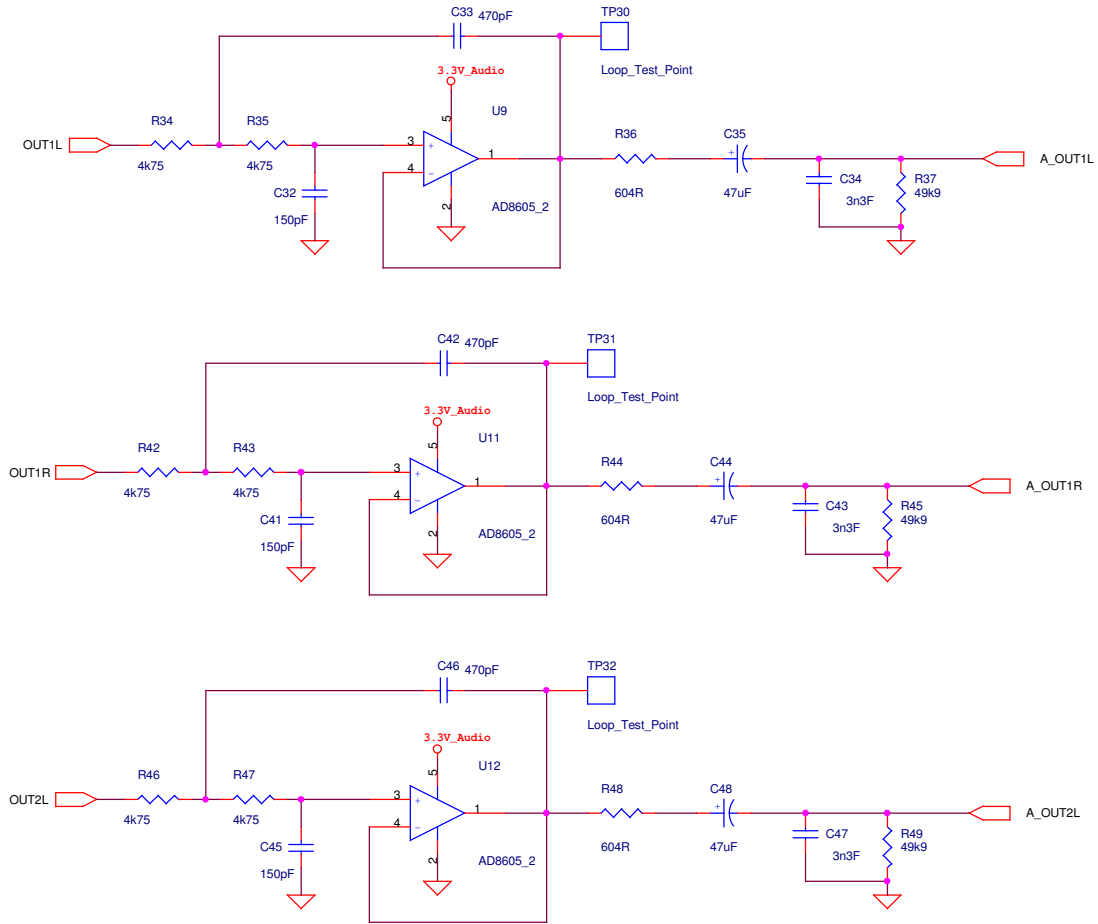
## Analog Devices AD1938 codec



|   |                                |               |
|---|--------------------------------|---------------|
| Title                                       |                                |               |
| <b>Quickfilter QF3DFX Development Board</b> |                                |               |
| Size B                                      | Document Number<br>QF3DFX - DK | Rev<br>1.13   |
| Date:                                       | Friday, July 15, 2011          | Sheet 5 of 14 |

# QF3DFX-DK

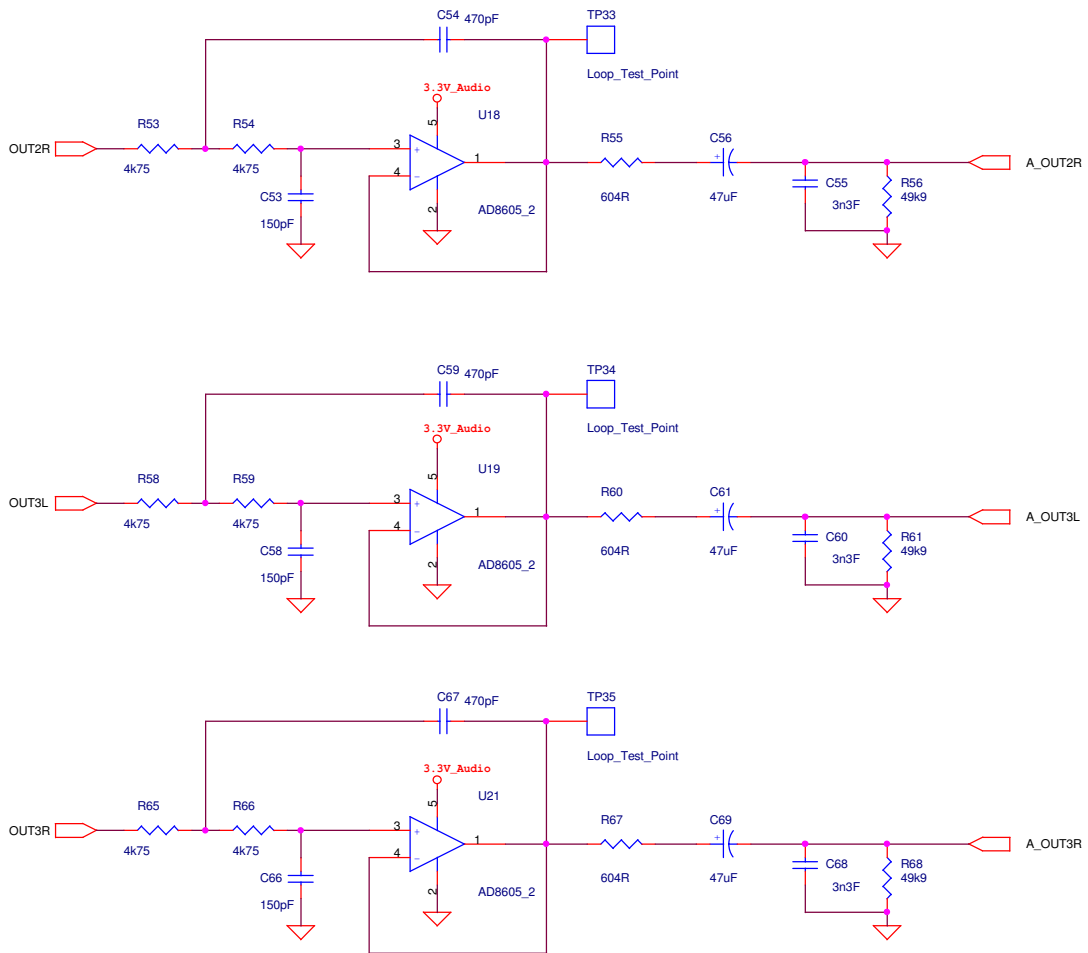
## Audio Outputs



|                                      |                 |               |
|--------------------------------------|-----------------|---------------|
| Title                                |                 |               |
| Quickfilter QF3DFX Development Board |                 |               |
| Size                                 | Document Number | Rev           |
| B                                    | QF3DFX - DK     | 1.13          |
| Date: Friday, July 15, 2011          |                 | Sheet 6 of 14 |

# QF3DFX-DK

## Audio Outputs

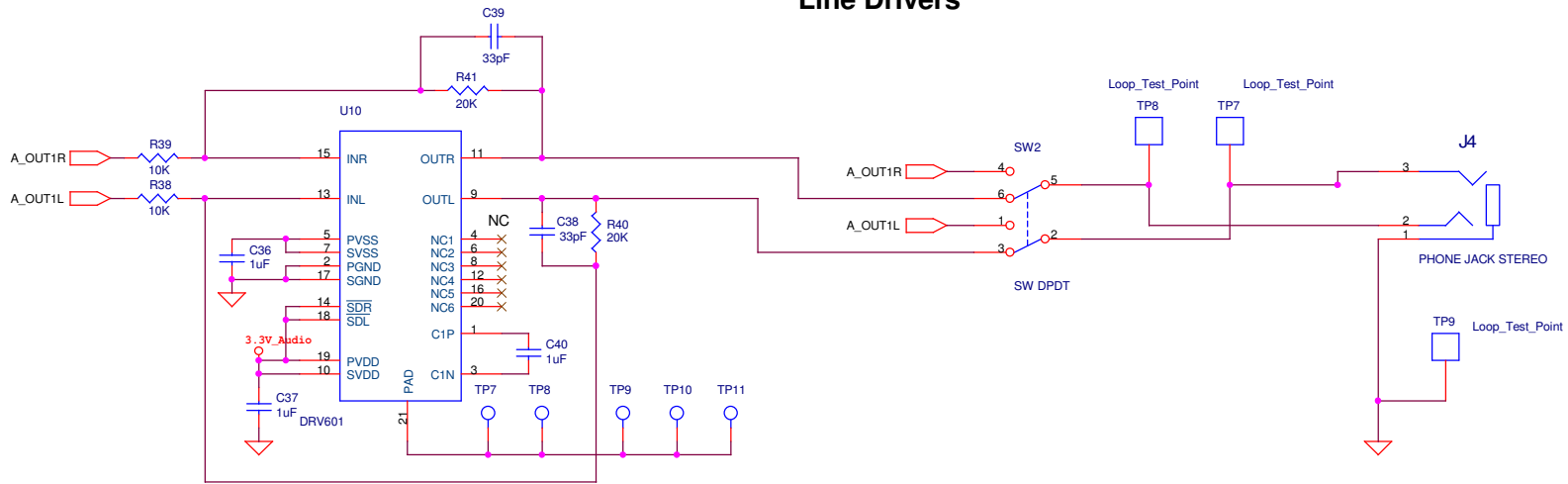


|   |                 |      |
|---|-----------------|------|
| Title   |                 |      |
| <b>Quickfilter QF3DFX Development Board</b>                                     |                 |      |
| Size  | Document Number | Rev  |
| B   | QF3DFX - DK     | 1.13 |
| © 2010 Quickfilter Technologies, Inc. Date: Friday, July 15, 2011 Sheet 7 of 14 |                 |      |

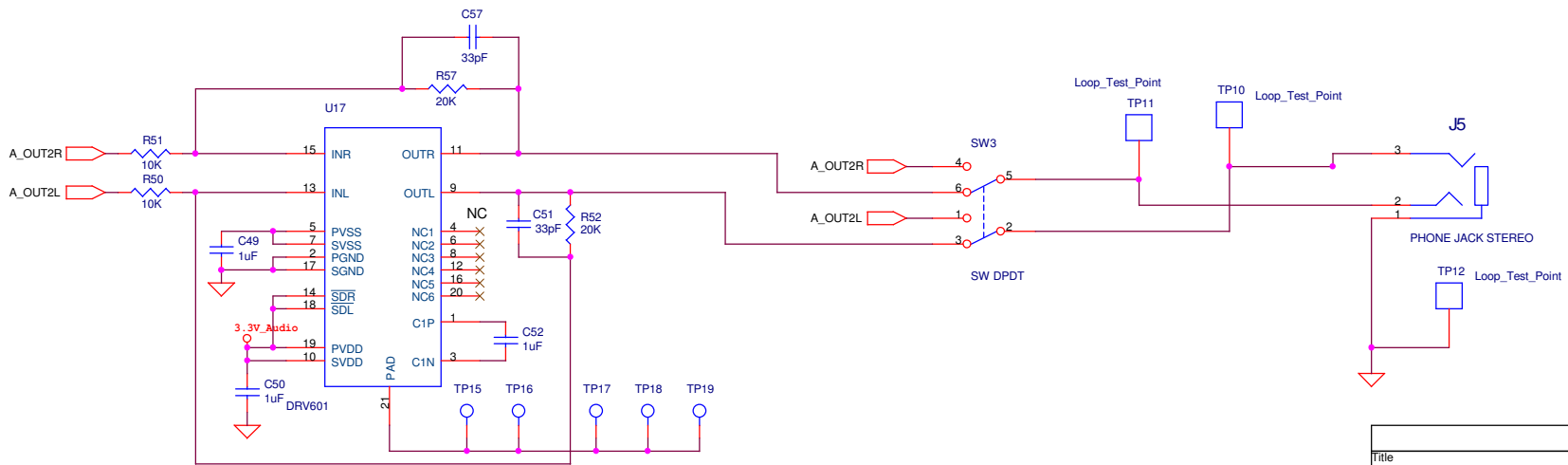
# QF3DFX-DK

## Line Drivers

2Vrms Line Driver



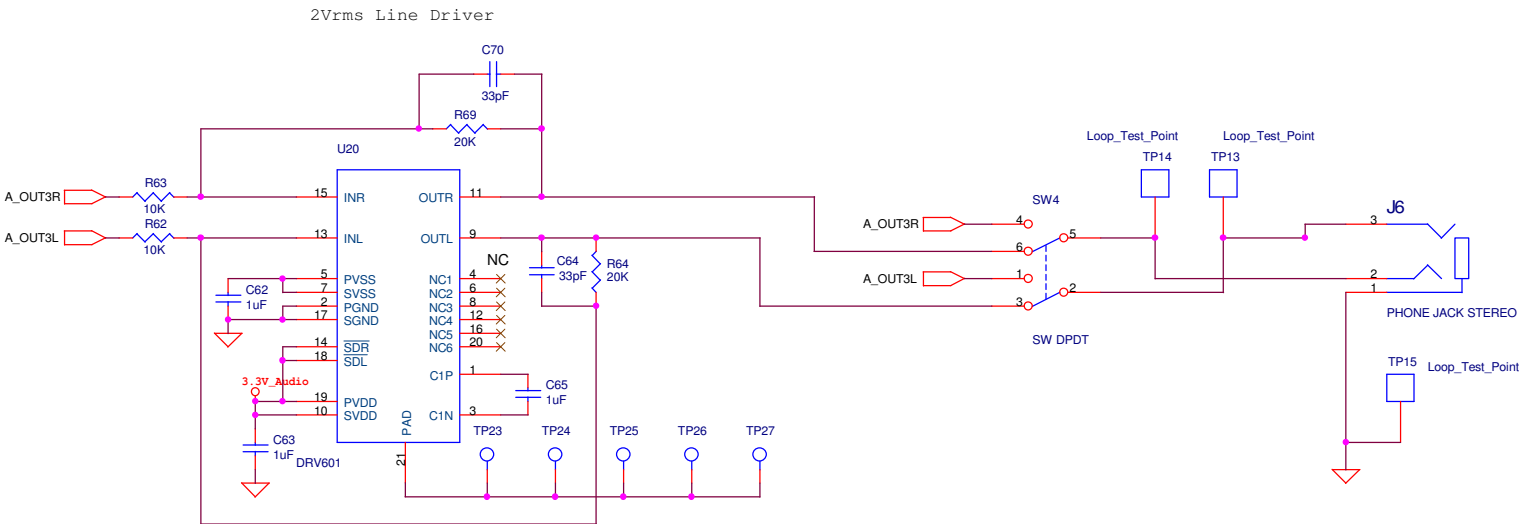
2Vrms Line Driver



|   |                 |               |
|---|-----------------|---------------|
| Title                                       |                 |               |
| <b>Quickfilter QF3DFX Development Board</b> |                 |               |
| Size  | Document Number | Rev           |
| B   | QF3DFX-DK       | 1.13          |
| Date: Friday, July 15, 2011                 |                 | Sheet 8 of 14 |

# QF3DFX-DK

## Line Driver

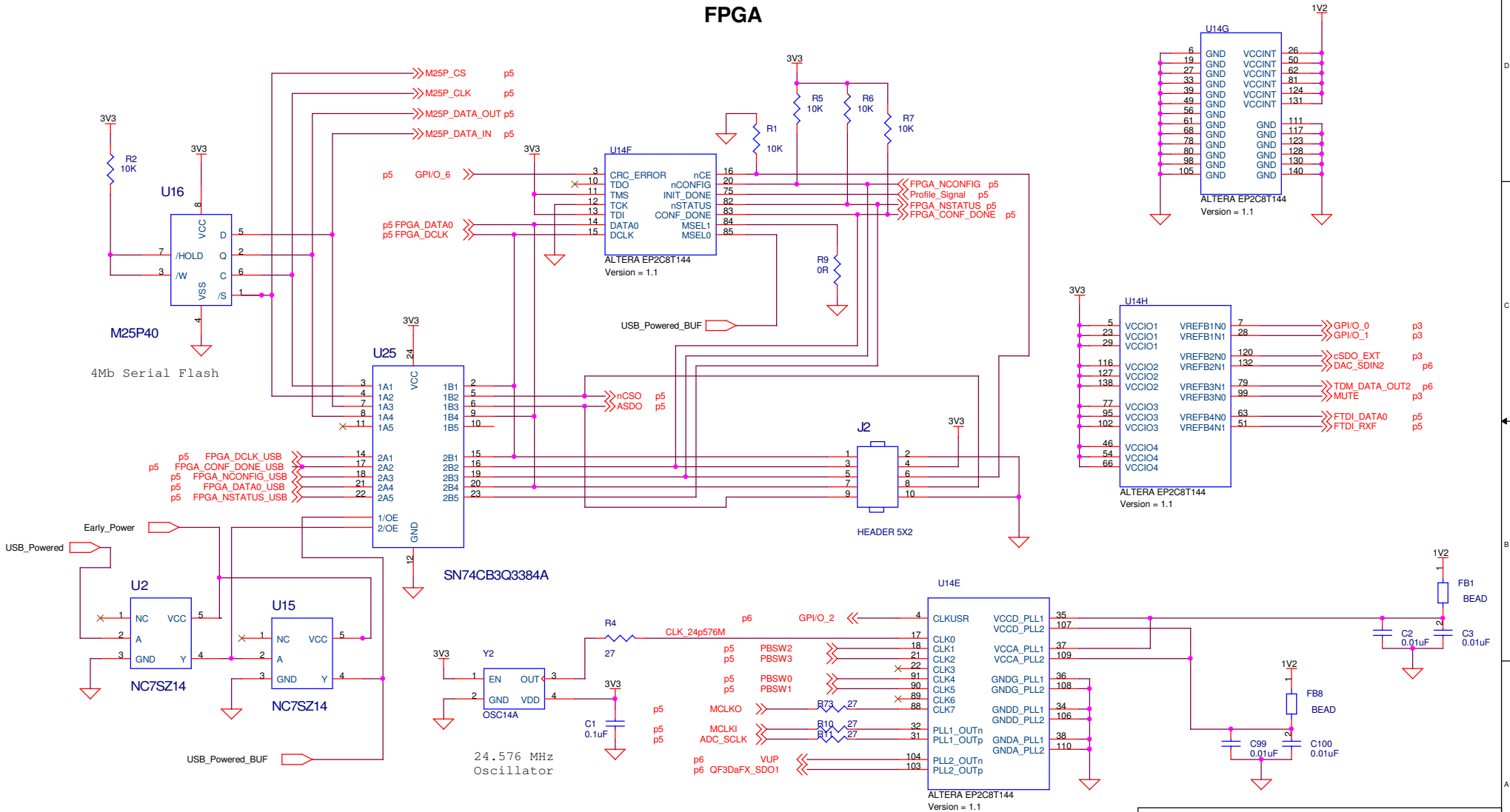


|   |                              |               |
|---|------------------------------|---------------|
| Title                                       |                              |               |
| <b>Quickfilter QF3DFX Development Board</b> |                              |               |
| Size B                                      | Document Number<br>QF3DFX-DK | Rev<br>1.13   |
| Date: Friday, July 15, 2011                 |                              | Sheet 9 of 14 |





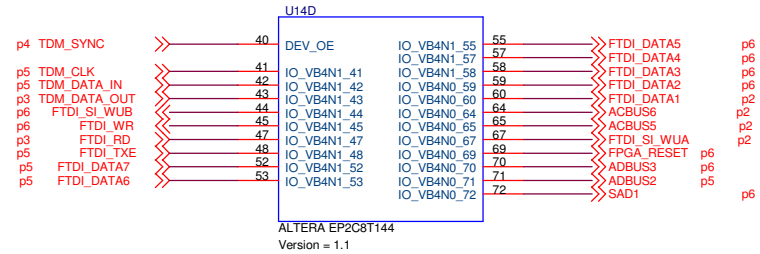
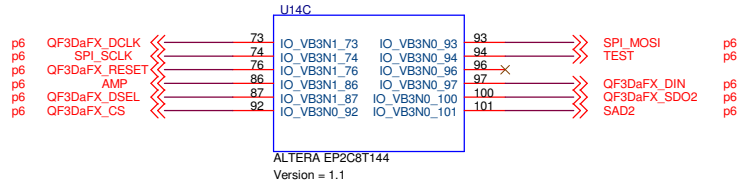
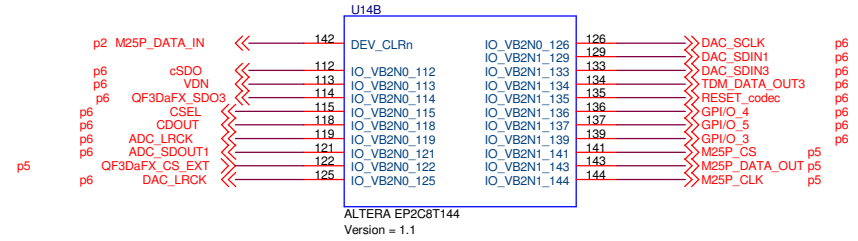
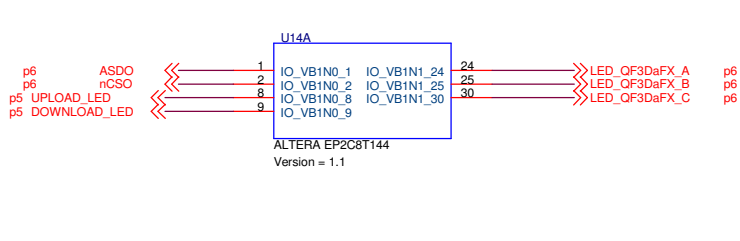
# Quickfilter QF3DFX-DK FPGA



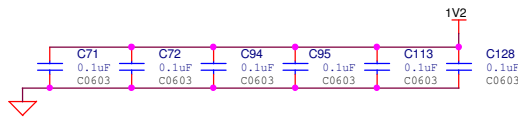
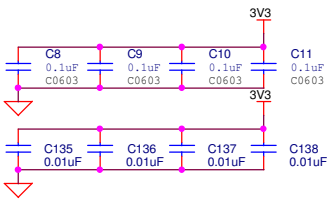
|                                      |                       |                |
|--------------------------------------|-----------------------|----------------|
| Title                                |                       |                |
| <b>Quickfilter QF3DFX - DK, FPGA</b> |                       |                |
| Size                                 | Document Number       | Rev            |
| B                                    | QF3DFX-DK             | 1.13           |
| Date:                                | Friday, July 15, 2011 | Sheet 11 of 14 |

# Quickfilter QF3DFX-DK

## FPGA



### FPGA Bypass Capacitors

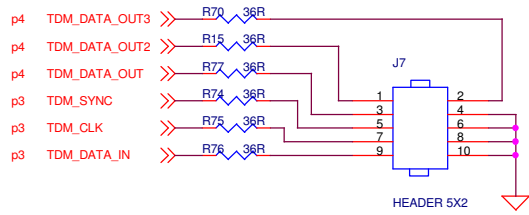


|                               |                       |                |
|-------------------------------|-----------------------|----------------|
| Title                         |                       |                |
| Quickfilter QF3DFX - DK, FPGA |                       |                |
| Size                          | Document Number       | Rev            |
| B                             | QF3DFX-DK             | 1.13           |
| Date:                         | Friday, July 15, 2011 | Sheet 12 of 14 |

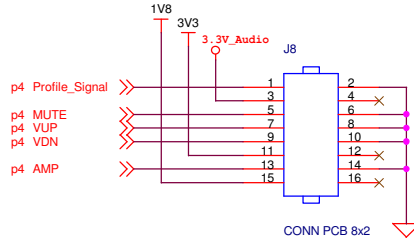
# Quickfilter QF3DFX-DK

## Connections

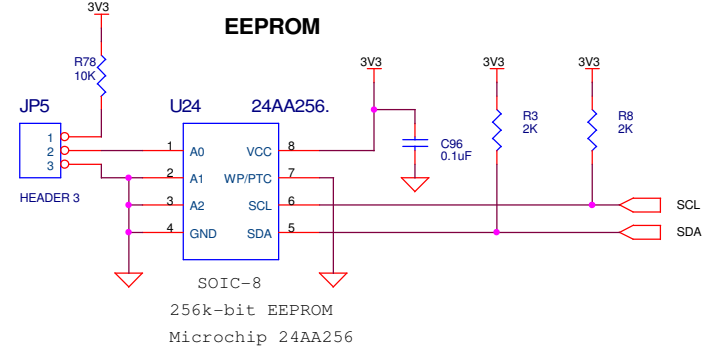
### TDM



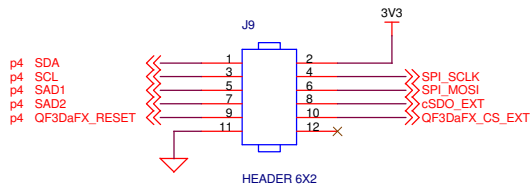
### Power



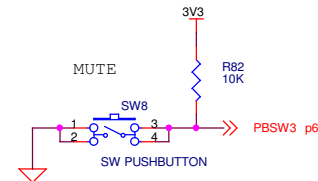
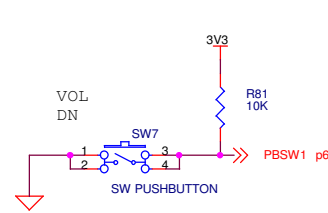
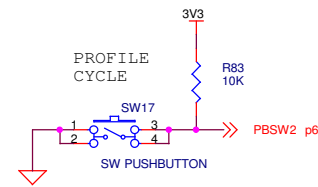
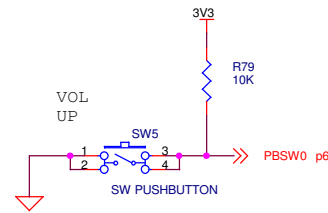
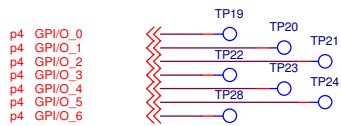
### EEPROM



### SPI/I2C



### GPI/O

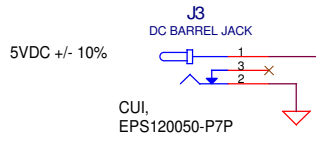


|                                    |                       |                |
|------------------------------------|-----------------------|----------------|
| Title                              |                       |                |
| Quickfilter QF3DFX-DK, Connections |                       |                |
| Size                               | Document Number       | Rev            |
| B                                  | QF3DFX-DK             | 1.13           |
| Date:                              | Friday, July 15, 2011 | Sheet 13 of 14 |

# Quickfilter QF3DFX-DK

## Power

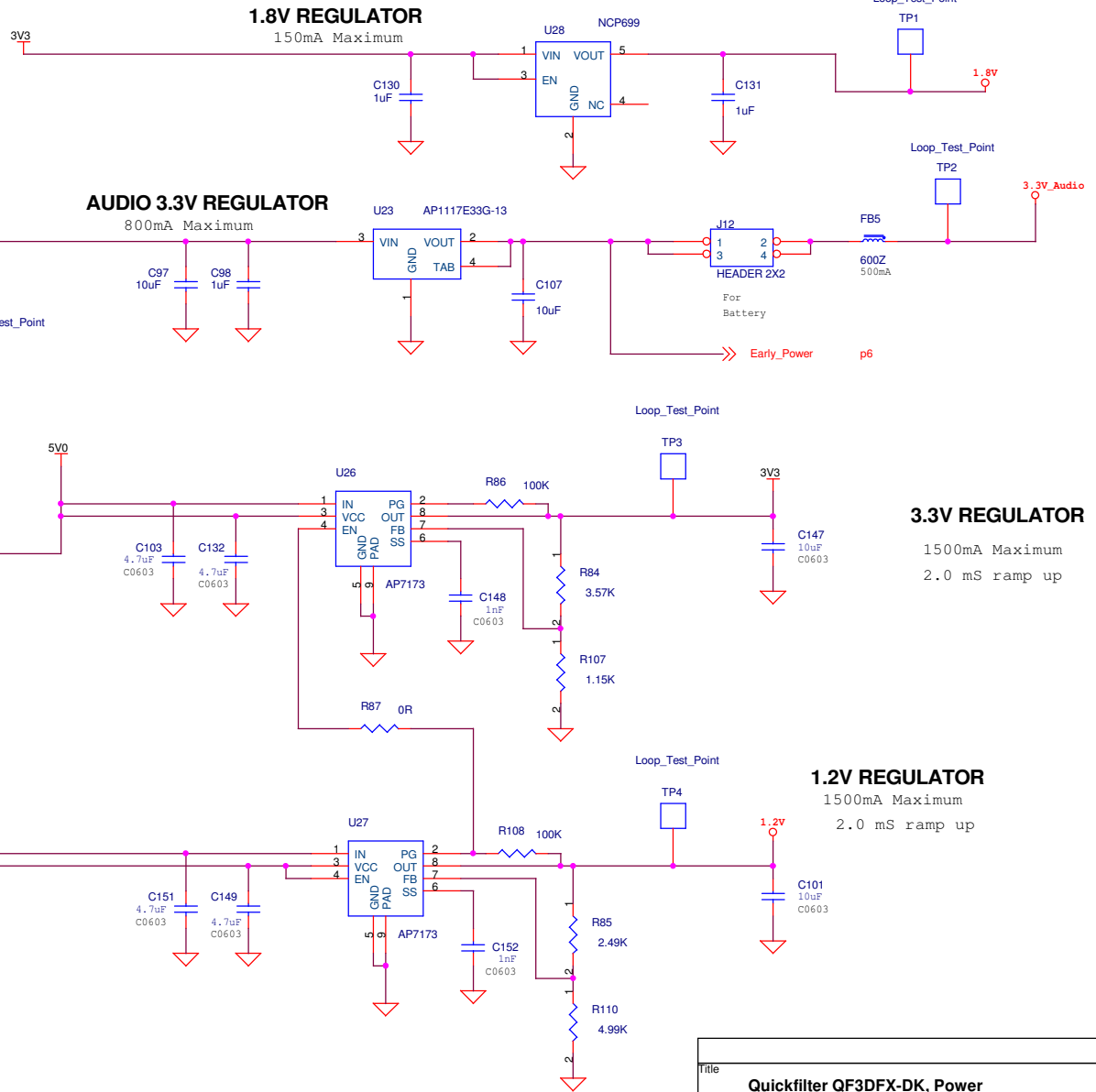
### External +5V Power Option



Remove to isolate USB power when using low noise external +5V power

+4.75 to 5.25V from USB, 500mA

Power "On" Indicator



**3.3V REGULATOR**  
1500mA Maximum  
2.0 mS ramp up

**1.2V REGULATOR**  
1500mA Maximum  
2.0 mS ramp up

|                              |                       |                |
|------------------------------|-----------------------|----------------|
| Title                        |                       |                |
| Quickfilter QF3DFX-DK, Power |                       |                |
| Size                         | Document Number       | Rev            |
| B                            | QF3DFX-DK             | 1.13           |
| Date:                        | Friday, July 15, 2011 | Sheet 14 of 14 |