



### BetaGauge 330

The BetaGauge 330 is a revolution in pressure calibration technology for the process industries. With the 330, technicians have a small, lightweight calibrator that generates from high vacuum to 150 PSI using a high performance integral electric pump.

### BetaGauge 321A

With a new Power-Tool-Tough housing and enhanced performance and features, the dual range BetaGauge 321A provides the familiar ease of use and convenient size technicians need for applications ranging from custody transfer flow meters to automated pressure switch testing for safety instrumented systems.

Reliable, industry standard accuracy means it can be used in demanding field calibration jobs with confidence.

It's also available as a single range calibrator in the BetaGauge 311A.



Description	Model
Pneumatic connector kit for NPT fittings	QCN-100P
Pneumatic connector kit for BSP fittings	QCB-100P
Hydraulic connector kit for NPT fittings	QCN-100H
Hydraulic connector kit for BSP fittings	QCB-100H



Martel Electronics Corporation  
 3 Corporate Park Drive, Unit 1  
 Derry, NH 03038  
 Toll-Free: 800-821-0023  
 Phone: +1 (603) 434-1433  
 Fax: +1 (603) 434-1653  
 E-mail: sales@martelcorp.com  
 Web: www.martelcalibrators.com

© 2009 Martel Electronics Corporation  
 All trademarks are the property of their respective owners.  
 090920R0/OEMM/



Calibration Technology Starts Here...

Finger-Tight Pressure Calibration  
 Connections with no thread damage,  
 wrenches, or pipe sealant



Calibration Connection Tools — No Thread Damage, Wrenches

## Basic Calibration Kit

Martel's complete line of Quik-Test™ calibration connection tools feature a patented pressure assisted grip-and-seal technology that provides repeatable, high pressure, and safe leak tight connections, with no thread damage, wrenches, or pipe sealant. The Quik-Test connection tools provide improved productivity, product quality, and ease-of-use, with the highest level of accuracy, as quickly as possible. The overall calibration process is improved, while reducing costs.

Quik-Test connection tools are specifically designed to solve the most frequent challenges and problems facing instrument calibration technicians across a variety of industries. Anyone who calibrates transmitters, pressure gauges, valve actuators, and transducers will benefit immediately from using Quik-Test calibration connection tools by:

- creating leak tight connections to a variety of thread profiles
- increasing instrument calibration throughput
- eliminating thread damage to instruments
- minimizing contamination to process media

The “plug-and-play” modularity of Quik-Test connection tools eliminates the traditional requirements of tape sealant, wrenches, and force to create leak tight connections. Quik-Test versus traditional method comparisons have shown at least a 5X improvement in efficiency.



**Finger-Tight**

**Fast**

**Accurate**

**Leak-Tight**

**Safe**

**Repeatable**

The Martel Quik-Test Basic Calibration Kit provides connection tools in both male and female thread styles, in 1/8", 1/4", and 1/2" thread sizes, at rated pressures of 4,000 or 5,000 psi. All connectors have a stainless steel swivel housing design. Kits are available in both NPT and BSP thread types. Additional fittings and hoses are provided that allow you to build your own custom connections.

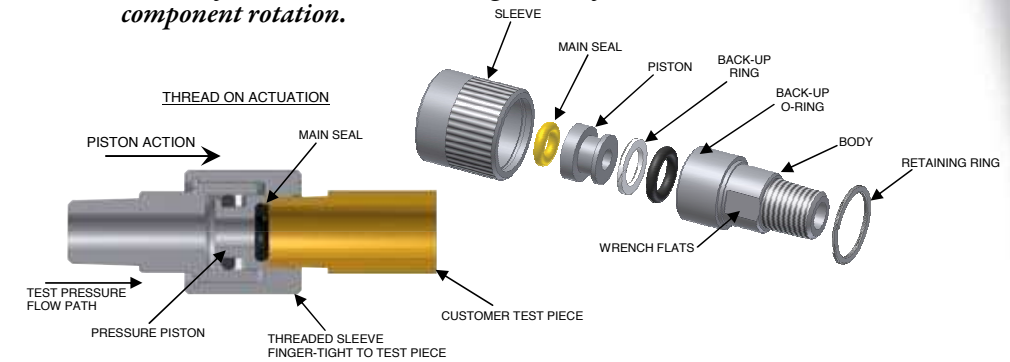
All pressure-assisted sealing Quik-Test connectors deliver fast, safe and repeatable connections. The connector's internal swivel also allows easy installation while plumbed (connected) to a supply line. Simply twist the connector to finger tight for an instant leak-tight and high pressure connection.

Male and female connectors are available in 1/8", 1/4", and 1/2" sizes, in both NPT and BSP thread styles. Other connector configurations are available on a special order basis; please contact the factory for availability and pricing.



**How It Works**

The patented internal mechanism is shown below. Actuating pressure drives the piston into the main seal, increasing the sealing action as pressure builds. The structure easily allows for a swivel body style since the full seal is maintained regardless of internal component rotation.



**Quik-Test for Female Threads**

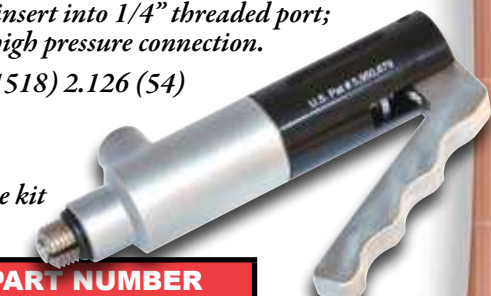
Simply twist the connector to finger tight for an instant leak tight and high pressure connection. The internal swivel allows easy installation while connected to a supply line. Optional cap versions available for bleeding transmitter impulse lines.

**Quik-Test for Male Threads**

Simply twist the connector to finger tight for an instant leak tight and high pressure connection. The internal swivel allows easy installation while connected to a supply line. Optional cap versions available for bleeding transmitter impulse lines.

**Quik-Test Lever Actuated for 1/4" IEC Transmitter Ports and 1/4" Female NPT**

Lever actuated connectors are ideal for fast, safe and repeatable connections to all types of transmitters. Simply squeeze the lever and insert into 1/4" threaded port; release the lever for an instant leak tight and high pressure connection. Compatible with 1/4" NPT and 1/4" (IEC 61518) 2.126 (54) process flange ports. Instant connections to 5000 psi. This is an optional product, not included in the kit.



Description	Thread Size	Diameter	Length	Rating (PSI)	Seal Material	ORDER PART NUMBER		
						NPT Kit	BSP Kit	Main Seals Package
<b>Quik-Test Calibration Connector Kit Contents:</b>								
1/4" Male Swivel Connector for IEC Transmitter Ports	1/4" IEC	---	---	5000	Urethane	80354	---	80388
1/8" Male Swivel Connector	1/8"	0.80"	1.62"	5000	Urethane	80365	80366	80391
1/4" Male Swivel Connector	1/4"	0.93"	1.63"	5000	Urethane	80367	80368	80392
1/2" Male Swivel Connector	1/2"	1.36"	1.46"	4000	Urethane	80371	80372	80394
1/8" Female Swivel Connector	1/8"	0.81"	1.69"	5000	Urethane	80356	80357	80387
1/4" Female Swivel Connector	1/4"	1.00"	1.88"	5000	Urethane	80358	80359	80388
1/2" Female Swivel Connector	1/2"	1.36"	2.57"	4000	Urethane	80362	80363	80390
Seal Service Tool	---	---	---	---	---	80395	80395	---
<b>Optional Items Available:</b>								
Lever Actuated 1/4" IEC Transmitter Ports and NPT	1/4"	---	---	5000	buna N	80355	---	80397
Special connectors are available on special order basis. Please contact the factory for more information.								



**1/4" IEC Transmitter Ports**  
Compatible to 1/4" (IEC 61518) 2.126 (54) process flange ports

